

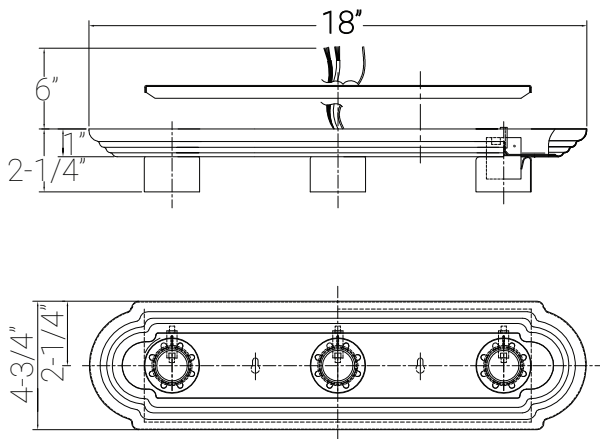
45025-SU

sunlite

B318/CH

B318/CH 3 LITE 18" BATHROOM FIX SUNLITE

Project: _____
Type: _____
Catalog #: _____
Date: _____
Comments: _____



Technical Specifications

Photometrics

Max Wattage	60
Base	E26
Volts	120
Number Of Lights	3
Bulb Included	FALSE
Application	Residential

Ratings / Certifications

Safety Certification	UL Listed
Use Location	Indoor
Fixture Technology	Incandescent
Warranty	2 Years

Construction

Fixture Material	Metal
Fixture Finish	Chrome
Lens Material	N/A
Lens Finish	N/A
Shape	Retaguler
Mounting	Wall

