

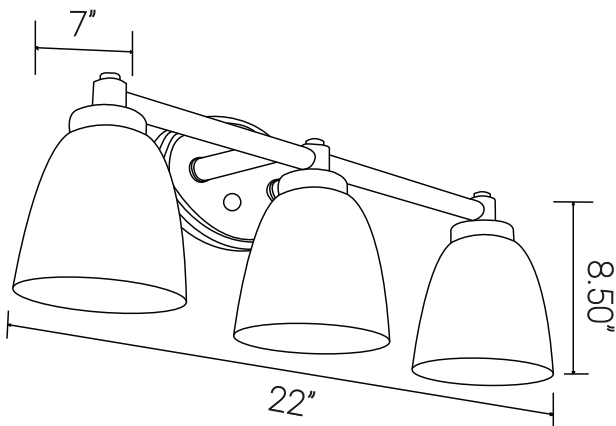
# 45059-SU

**sunlite**

FIX/SM/BATH/3LT/E26/BN/WH

FIX/SM/BATH/3LT/E26/BN/WH BATH VANITY FIX SUNLITE

Project: \_\_\_\_\_  
Type: \_\_\_\_\_  
Catalog #: \_\_\_\_\_  
Date: \_\_\_\_\_  
Comments: \_\_\_\_\_



## Technical Specifications

### Photometrics

Max Wattage	100
Base	E26
Volts	120
Number Of Lights	3
Bulb Included	FALSE
Application	Residential

### Ratings / Certifications

Safety Certification	UL Listed
Use Location	Indoor
Fixture Technology	Incandescent
Warranty	2 Years

### Construction

Fixture Material	Metal & Glass
Fixture Finish	Brushed Nickel
Lens Material	Glass
Lens Finish	White
Shape	Retaguler
Mounting	Wall