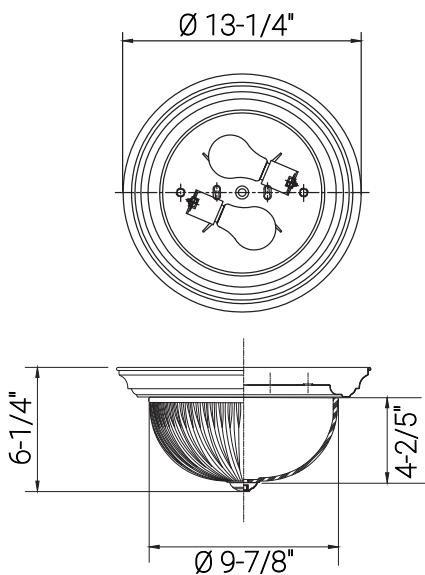


45500-SU

sunlite[®]

DBN13-218

DBN13-218 AL 2-18WCF BRUSH NICKLE ALBSTR DOME FIX



Project: _____
Type: _____
Catalog #: _____
Date: _____
Comments: _____

Technical Specifications

Electrical

Max Wattage	18
Base	G24q2
Volts	120
Number Of Lights	2
Bulb Included	True
Application	Residential

Ratings / Certifications

Safety Certification	UL Listed
Use Location	Indoor
Fixture Technology	Non LED
Warranty	2 Years

Construction

Fixture Material	Metal & Glass
Fixture Finish	Brushed Nickel
Lens Material	Glass
Lens Finish	Alabaster
Shape	Round
Mounting	Surface