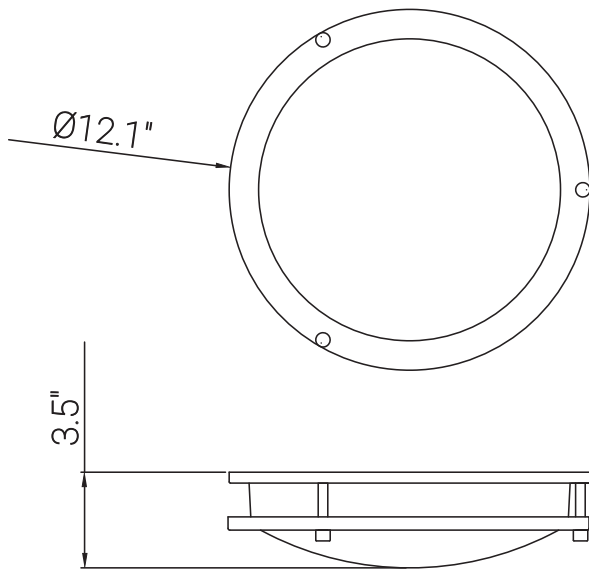


45571-SU

sunlite

DC012/E/PB

DC012/E/PB 12" 1-23W GU24 POLISHED BRAS ES FIX SUN



Project: _____
Type: _____
Catalog #: _____
Date: _____
Comments: _____

Technical Specifications

Electrical

Max Wattage	23
Base	GU24
Volts	120
Number Of Lights	1
Bulb Included	True
Application	Residential

Ratings / Certifications

Safety Certification	UL Listed
Use Location	Indoor
Fixture Technology	Non LED
Warranty	2 Years

Construction

Fixture Material	Metal & Acrylic
Fixture Finish	Polished Brass
Lens Material	Acrylic
Lens Finish	White
Shape	Round
Mounting	Surface