

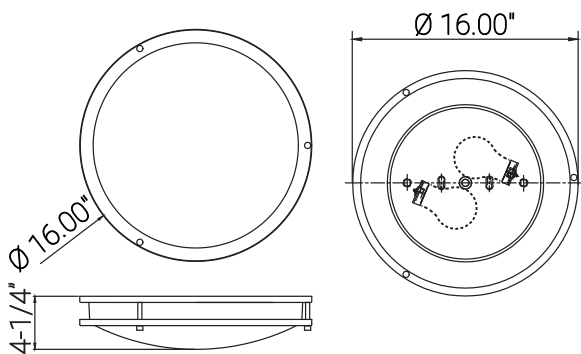
45581-SU



DC016/E/PB

DC016/E/PB 16" 2-23W GU24 POLISHED BRAS ES FIX SUN

Project: _____
Type: _____
Catalog #: _____
Date: _____
Comments: _____



Technical Specifications

Electrical

Max Wattage	23
Base	GU24
Volts	120
Number Of Lights	2
Bulb Included	True
Application	Residential

Ratings / Certifications

Safety Certification	FALSE
Use Locaion	Indoor
Fixture Technology	Non LED
Warranty	2 Years

Construction

Fixture Material	Metal & Acrylic
Fixture Finish	Polished Brass
Lens Material	Acrylic
Lens Finish	White
Shape	Round
Mounting	Surface