

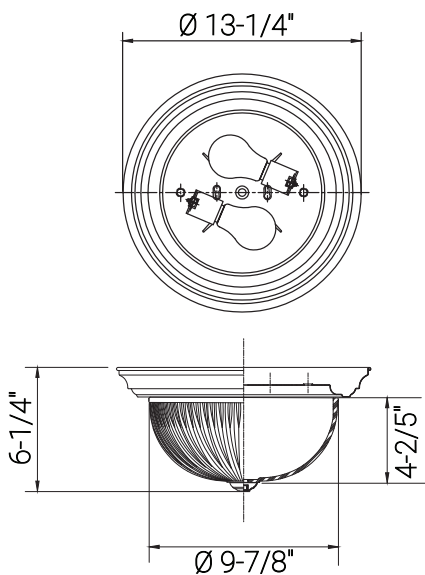
46060-SU

sunlite[®]

DAB13/AL

DAB13/AL ANTIQUE BRONZE DOME FIXTURE SUNLITE

Project: _____
Type: _____
Catalog #: _____
Date: _____
Comments: _____



Technical Specifications

Electrical

Max Wattage	60
Base	E26
Volts	120
Number Of Lights	2
Bulb Included	False
Application	Residential

Ratings / Certifications

Safety Certification	UL Listed
Use Location	Indoor
Fixture Technology	Non LED
Warranty	2 Years

Construction

Fixture Material	Metal & Glass
Fixture Finish	Antique Bronze
Lens Material	Glass
Lens Finish	Alabaster
Shape	Round
Mounting	Surface