

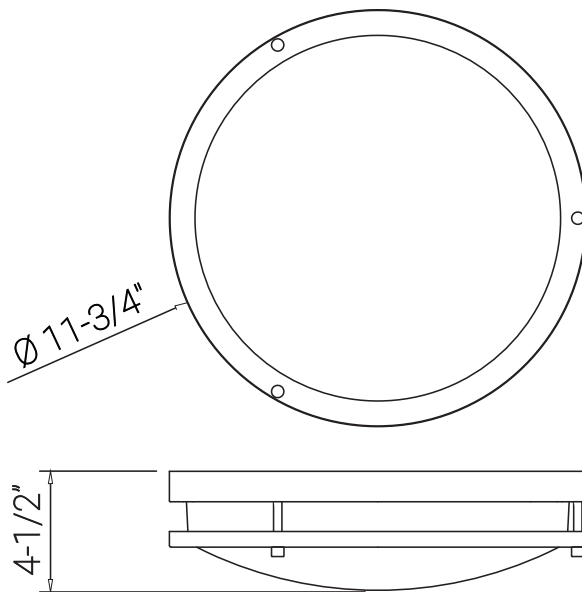
49052-SU



LFX/DC012/ORB/SCT/15W

0

Project: _____
Type: _____
Catalog #: _____
Date: _____
Comments: _____



Technical Specifications

Photometrics

Lumen	1350
Emitted Color	CCT Selectable
Color Temp	30K/40K/50K
Color Rendering Index (CRI)	80
Beam Angle	
Lifespan	50000

Electrical

Watt	15
Input Voltage	120
Power Factor	0.98
Dimmable	Forward Phase (Triac or Incandescent)

Ratings / Certifications

Safety Certification	N/A
Energy Star Certified	False
Operating Temperature	-4°F - 113°F
Warranty	5 Years

Construction

Fixture Material	Steel
Fixture Finish	Oil Rubbed Bronze
Lens Material	Acrylic
Lens Finish	White
Shape	Round
Mounting	Indoor