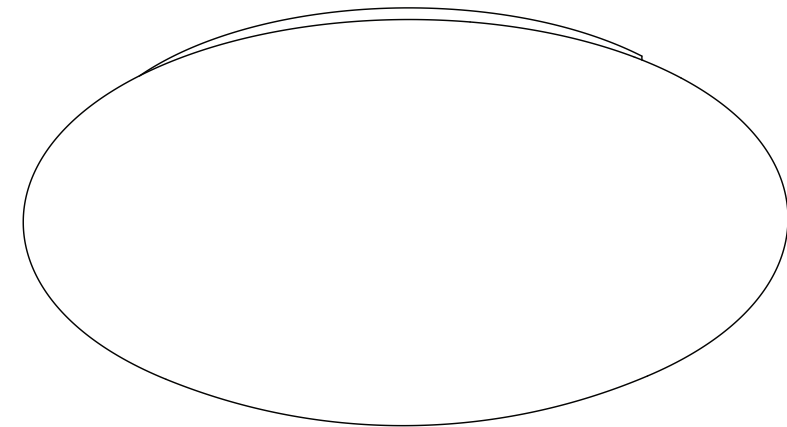


sunlite®

**CCT & Wattage Selectable
Round Flushmount
Ceiling Fixture**

Installation Instructions

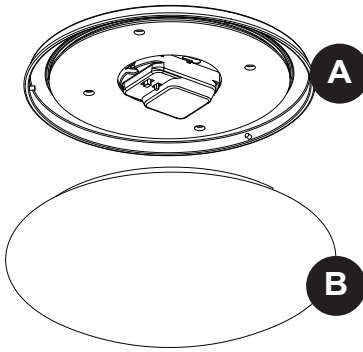


T

LED
echnology

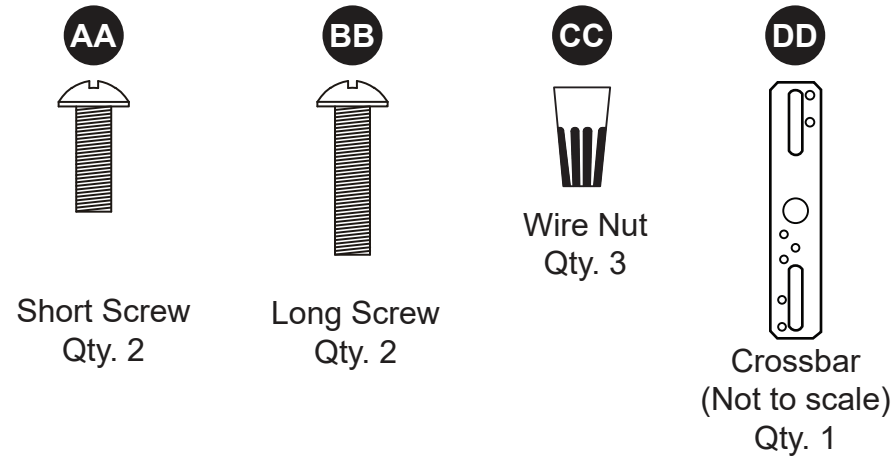
ETL
LISTED US
Intertek

PACKAGE CONTENTS



Part	Item Name	Qty.
A	Fixture Pan	1
B	Diffuser	1

HARDWARE CONTENTS



SAFETY INFORMATION

Please read and understand this entire manual before attempting to assemble, operate or install the product. Failure to do so could lead to electric shock, fire or other injuries that could be hazardous or even fatal.

- Be sure the electricity to the wires you are working on is shut off. Either remove the fuse or turn off the circuit breaker.
- Changes or modifications not expressly approved by the party responsible for compliance could void the user's authority to operate the equipment.

CAUTION:

- The fixture body is one piece. Do not disassemble it.
- This fixture is dimmable with most phase-cut triac dimmer switches, for the latest compatibility list, please visit www.energeticlighting.com.

NOTICE

- This device complies with Part 15 of the FCC Rules. Operation is subject to the following two conditions: (1) This device may not cause harmful interference, and (2) this device must accept any interference received, including interference that may cause undesired operation.

SAFETY INFORMATION

NOTICE

- This equipment has been tested and found to comply with the limits for a Class B digital device, pursuant to part 15 of the FCC Rules. These limits are designed to provide reasonable protection against harmful interference in a residential installation. This equipment generates, uses and can radiate radio frequency energy and, if not installed and used in accordance with the instructions, may cause harmful interference to radio or television reception, which can be determined by turning the equipment off and on. The user is encouraged to try to correct the interference by one or more of the following measures:
 - Reorient or relocate the receiving antenna.
 - Increase the separation between the equipment and the receiver.
 - Connect the equipment into an outlet on a circuit different from that to which the receiver is connected.
 - Consult the dealer or an experienced radio/TV technician for help.

PREPARATION

Before beginning assembly of product, make sure all parts are present. Compare parts with package contents list and hardware contents list. If any part is missing or damaged, do not attempt to assemble the product.

Estimated Assembly Time: 15 minutes


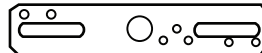
Tools Required for Assembly (not included): Phillips Screwdriver

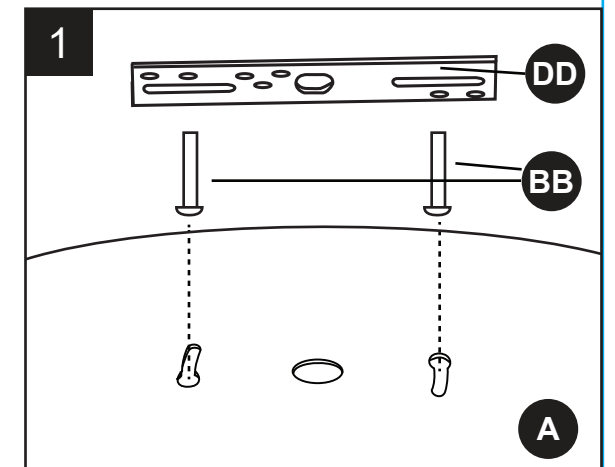
INSTALLATION INSTRUCTIONS

1. Align two of the threaded holes on crossbar (DD) over one set of keyhole slots on the fixture pan (A). From the inside of fixture pan (A), insert long screws (BB) into aligned holes, leaving about 1 in. of space between the screw heads and crossbar (DD).

Note: Do not install fixture pan (A) yet.

Hardware Used

- BB** Long Screw  x 2
- DD** Crossbar  x 1

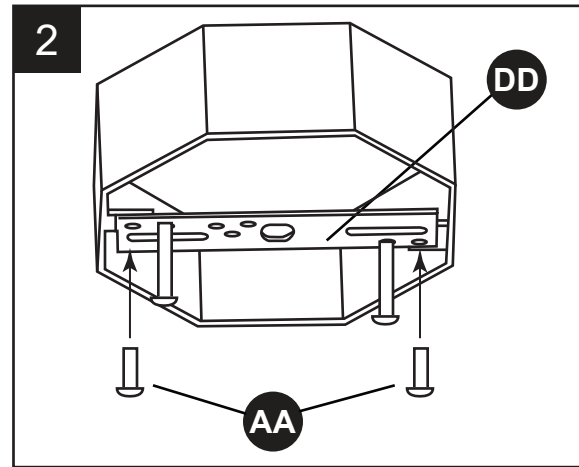


INSTALLATION INSTRUCTIONS

2. Attach crossbar (DD) to outlet box (not included) using short screws (AA).

Hardware Used

AA Short Screw  x 2

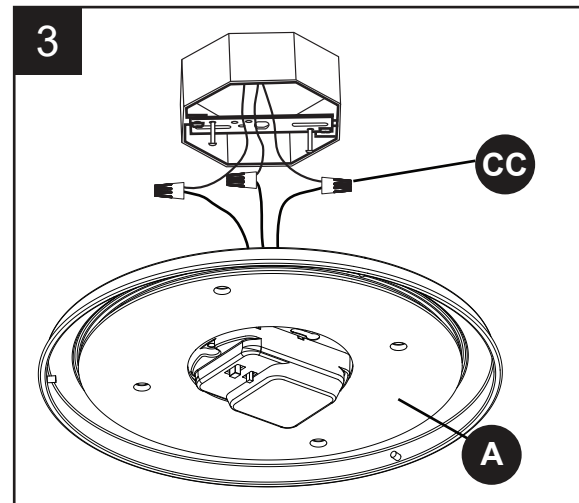


3. Connect the fixture wires to the supply wires -- black to black, white to white, and green to copper/bare. **WARNING:** If there is no ground supply wire, stop installation and consult a qualified electrician.

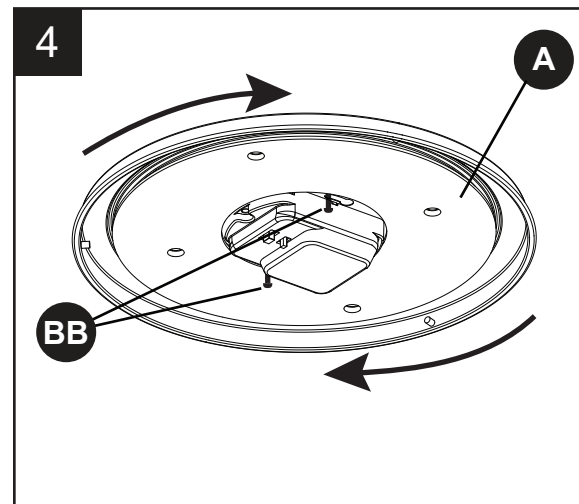
Once wire connections are made, secure each with a wire nut (CC).

Hardware Used

CC Wire Nut  x 3

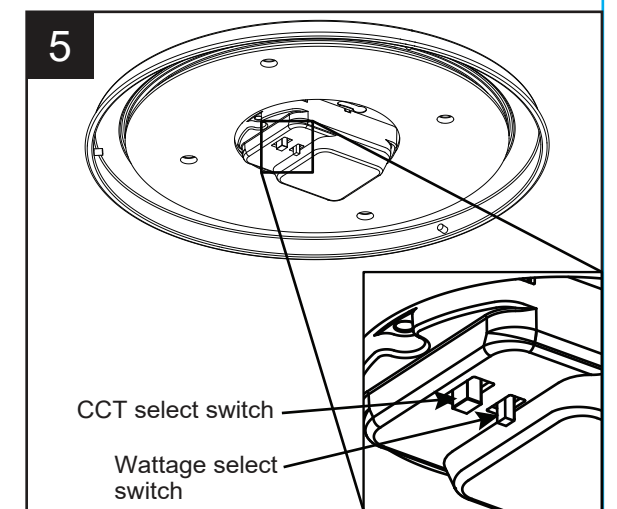


4. Lift fixture pan (A) up toward ceiling and carefully tuck wires into outlet box. Align keyholes on fixture pan (A) with long screws (BB), then twist fixture pan (A) until the long screws (BB) engage the narrow end of the keyholes. Tighten long screws (BB) to secure.



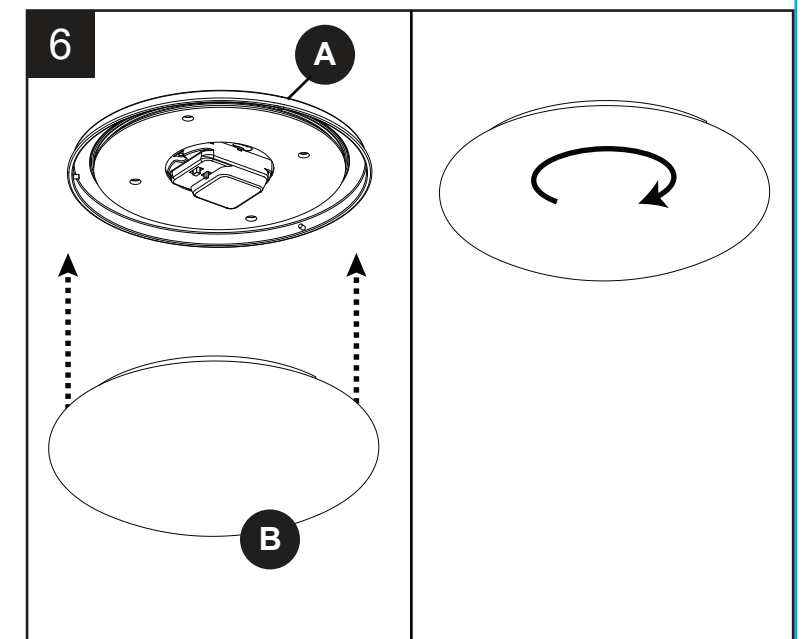
INSTALLATION INSTRUCTIONS

5. This fixture allows the correlated color temperature (CCT) of the LEDs to be adjusted from warm white (3000K) to cool white (5000K) as desired. The wattage can also be adjusted to a lower level if a fixed lower light level is desired for fixture location. Before proceeding to the next step, the CCT switch and Wattage switch should be set to the desired positions by moving the toggle switch through the range of detents or clicks and following the position markings next to each switch.



6. Align the tabs on fixture pan (A) with the channels on diffuser (B), then insert diffuser (B) into fixture pan (A). Carefully twist the diffuser (B) clockwise until secure.

CAUTION: Make sure the upper lip of diffuser (B) is secured completely by the tabs on fixture pan (A). If not, the diffuser (B) could potentially fall and break.



CARE AND MAINTENANCE

Clean with a mild, non-abrasive glass cleaner and soft cloth. Do NOT use solvents or cleaners containing abrasive agents. When cleaning the fixture, make sure the power is turned off, and any liquid spray should be applied to the cleaning cloth and not sprayed directly onto the fixture itself.

TROUBLESHOOTING

PROBLEM	POSSIBLE CAUSE	CORRECTIVE ACTION
Fixture does not light.	1. Power is off. 2. Incorrect wire connection. 3. Defective wall switch.	1. Check circuit breaker or wall switch. 2. Check wire splices. 3. Replace switch.
Circuit breaker trips when light is turned on.	Crossed wires or power wire is grounded out.	Verify wires are correctly connected.

Sunshine Lighting Company • www.sunlite.com

744 Clinton Street Brooklyn, NY 11231, USA • T. 718.768.7000 • F. 718.768.0970