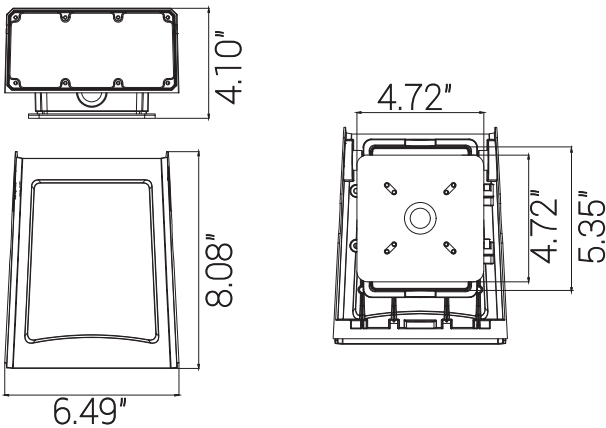


49169-SU



LFX/SWP/MW/SCT/BRZ

LED Outdoor Slim Profile Cutoff Wallpack Light Fixture, Power Selectable 21/28/35W, 4550 Lmns, Color Selectable 30/40/50K, UL Listed, Bronze, Residential, Commercial Use



Project: _____
Type: _____
Catalog #: _____
Date: _____
Comments: _____

Technical Specifications

Photometrics

Lumen	2730/3640/4550
Emitted Color	CCT Selectable
Color Temp	30K/40K/50K
Color Rendering Index (CRI)	80+
Beam Spread	92°
Lifespan	50000

Electrical

Watt	21/28/35
Input Voltage	120-347
Power Factor	0.9
Dimmable	Not Dimmable

Ratings / Certifications

Safety Certification	UL Listed - Wet Location
Operating Temperature	-40°F-113°F
Warranty	5 Years

Construction

Fixture Material	Aluminum
Fixture Finish	Dark Bronze
Lens Material	Polycarbonate
Lens Finish	Clear
Shape	
Mounting	Wall
Usage	Outdoor