

LED CEILING FLUSH MOUNT INSTALLATION INSTRUCTIONS

Model 49175 , 49176,49177

Please read carefully and save these instructions, as you may need them at a later date.

CAUTION

Risk of Fire. Consult a qualified electrician to ensure correct branch circuit conductor. Minimum 90 °C supply conductors.

Turn off the main power at the circuit breaker before installing the fixture, in order to prevent possible shock.

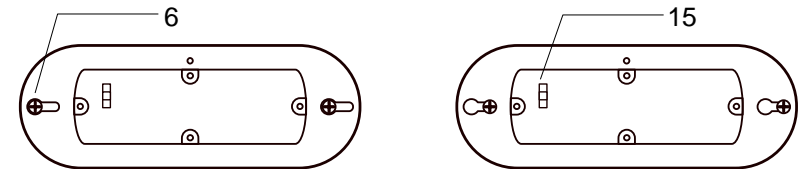
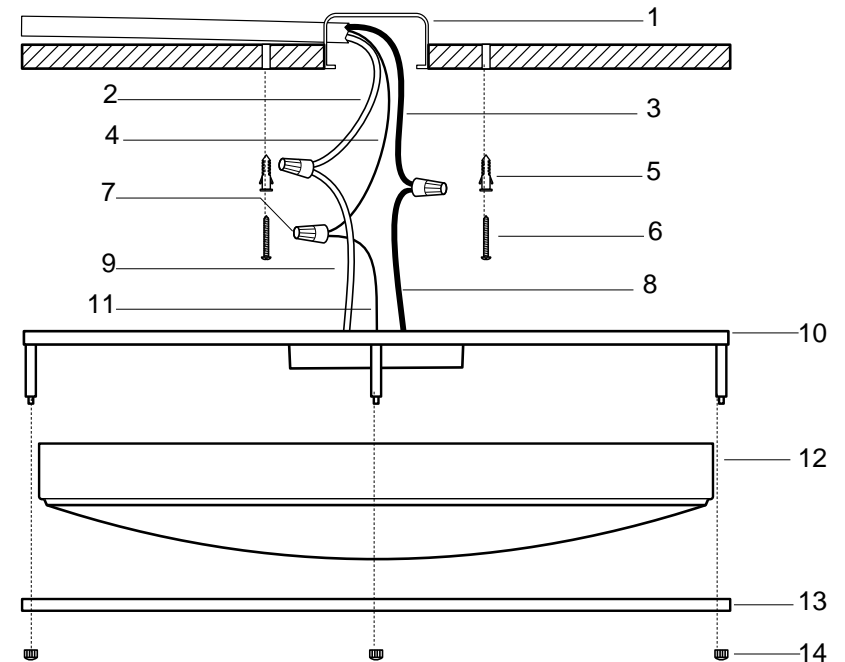
GENERAL

All electrical connections must be in accordance with local and National Electrical Code (N.E.C.) standards. If you are unfamiliar with proper electrical wiring connections obtain the services of a qualified electrician.

Remove the fixture and the hardware package from the box and make sure that no parts are missing by referencing the illustrations on the installation instructions.

ASSEMBLY AND INSTALLATION

1. Place the **fixture pan** (10) onto the desired location, centering it over the **outlet box** (1). Mark the location of all the keyhole slots. Remove the **fixture pan** (10) from the ceiling. Drill appropriately 1/4" sized holes at the marked keyhole locations. Insert the **ceiling anchors** (5) into the holes.
2. Thread the **mounting screws** (6) halfway into the **ceiling anchors** (5).
3. Pull the power supply wires out from the **outlet box** (1). Connect the **black supply wire** (3) to the **black fixture wire** (8) using a **wire nut** (7). Connect the **white supply wire** (2) to the **white fixture wire** (9) using a **wire nut** (7). Connect the **fixture ground wire** (11) and the **supply ground wire** (4) together using a **wire nut** (7). Wrap all wire connections with electrical tape for a more secure connection. Carefully tuck all the wires and wire connections into the **outlet box** (1).
4. Place the **fixture pan** (10) over the **outlet box** (1) and feed the **mounting screws** (6) through the keyhole slots. Slide the **fixture pan** (10) so that the **mounting screws** (6) slide into the narrow slots of the keyhole slots.
5. Tighten the **mounting screws** (6) so that the **fixture pan** (10) is secured flush against the ceiling.
6. Set the **CCT switch** (15) to the desired color temperature.
7. Secure the **acrylic shade** (12) and the **frame** (13) to the **fixture pan** (10) using the **thumb nuts** (14).



- | | |
|-----------------------|-------------------------|
| 1. Outlet Box | 9. White Fixture Wire |
| 2. White Supply Wire | 10. Fixture Pan |
| 3. Black Supply Wire | 11. Fixture Ground Wire |
| 4. Supply Ground Wire | 12. Acrylic Shade |
| 5. Ceiling Anchor | 13. Frame |
| 6. Mounting Screws | 14. Thumb Nuts |
| 7. Wire Nut | 15. CCT Switch |
| 8. Black Fixture Wire | |