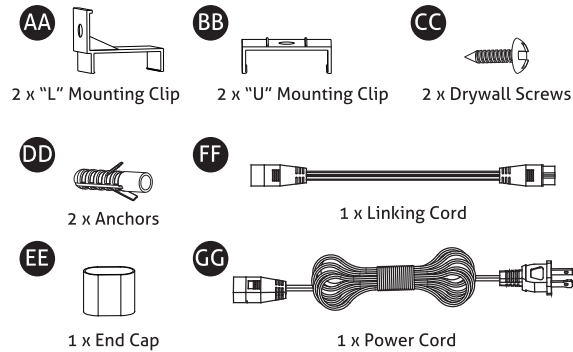


sunlite®

INSTALLATION INSTRUCTIONS

LED LINKABLE SCT UNDER CABINET FIXTURES

Included Hardware

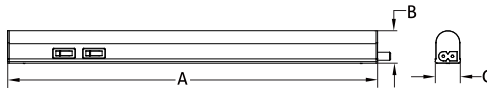


Please read and understand this entire manual before attempting to assemble, operate or install the product.

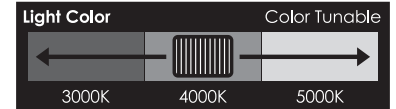
WARNING: Avoid fire or electric shock. Follow installation instructions carefully. If unsure about electrical installation, consult a qualified electrician. To avoid a hazard to children, account for all parts and destroy all packing materials. Not for use with dimmers. Operating temperature -15°C – 55°C (5°F – 131°F). Suitable for damp locations.

CAUTION: Turn off power at fuse or circuit breaker box before installation and maintenance. Fixture must be installed according to National Electric Code and local building codes. If you are unsure about wiring, consult a qualified electrician. THIS FIXTURE BODY IS ONE PIECE, DO NOT DISASSEMBLE OR MAKE ALTERATIONS.

This device complies with part 15 of the FCC Rules. Operation is subject to the following two conditions: (1) this device may not cause harmful interference, and (2) this device must accept any interference received, including that may cause undesired operation.

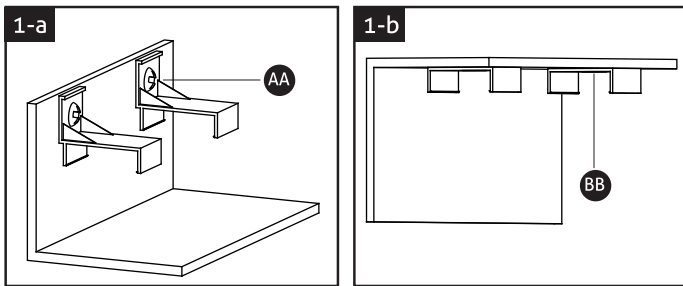


Item	Dimensions (inches)			Watts
	A	B	C	
53107-SU	12.32	1.18	0.91	5
53108-SU	22.56	1.18	0.91	9
53109-SU	34.37	1.18	0.91	12
53110-SU	46.18	1.18	0.91	16

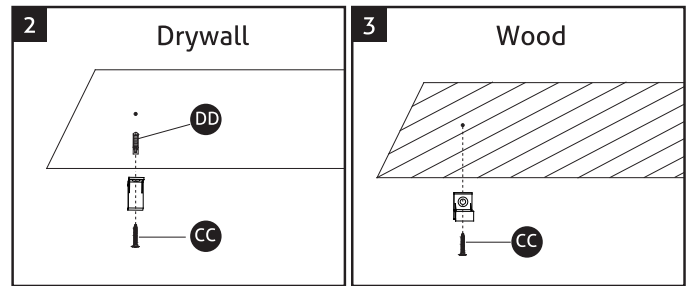


Sunlite's CCT tunable LED linkable under cabinet fixture allows for selecting the light temperature to match a wide range of applications. The CCT tunable selector switch contained near the power switch, allows the user to choose between 3000K, 4000K, and 5000K prior or post installation.

WARNING! BEFORE PROCEEDING, PLEASE ENSURE POWER HAS BEEN SWITCHED OFF.

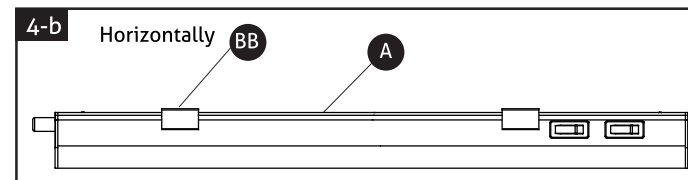
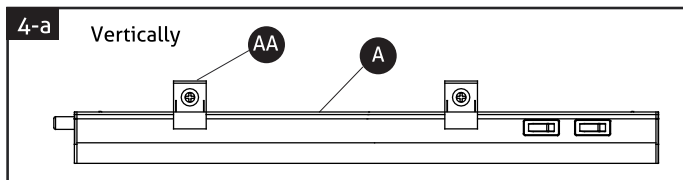


1. Identify and mark the desired location for the LED fixture then place the "L" mounting clips (AA) or "U" mounting clips (BB) in the desired location and mark the intended positions of the holes with a pencil. *The distance of two mounting clips should be at least half the length of the fixture.*

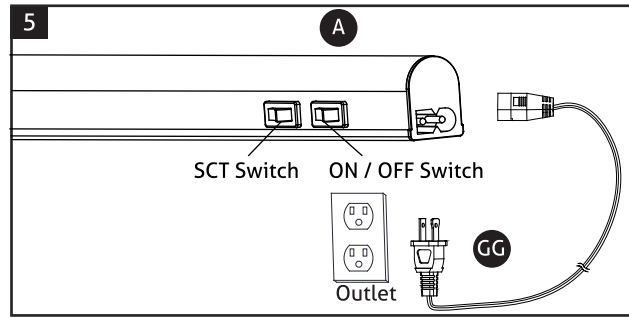


2. For mounting to drywall: Drill holes at the two marked locations. Insert the anchors (DD) into drywall, then secure clips with drywall screws (CC).

3. For mounting to wood: Attach clips by drilling directly into wood with drywall screws (CC).

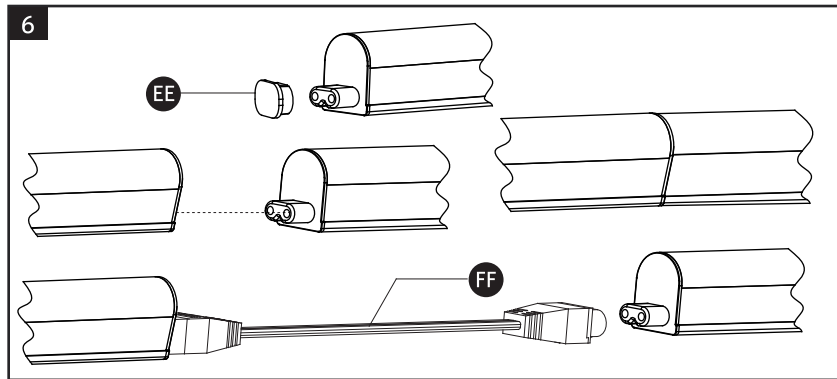


4. Attach the light fixture (A) to the "L" mounting clips (AA) or the "U" mounting clips (BB) by sliding one side of the fixture into one of the clips first, then while holding the clip with one hand, push the fixture through into the other mounting clip.



5. Plug the power cord connector (FF) into the light fixture (A) then plug the power cord (GG) into the outlet.
 Note: This power cord has a polarized plug (one blade is wider than the other) as a feature to reduce the risk of electric shock. This plug will only fit in a polarized outlet one way. If the plug does not fit fully in the outlet, reverse the plug. If it still does not fit, contact a qualified electrician.

Select color temperature desired through SCT switch and then turn fixture on.



Linking multiple fixtures:

This LED fixture can be linked together in series without any additional connector by removing the end cover (EE) and inserting directly into adjacent fixture or by using the included linking cord (FF). Total power of all linked fixtures should not exceed 180W.

