

INSTALLATION INSTRUCTIONS

VANITY LIGHT

120VAC/60Hz Input, Dimmable

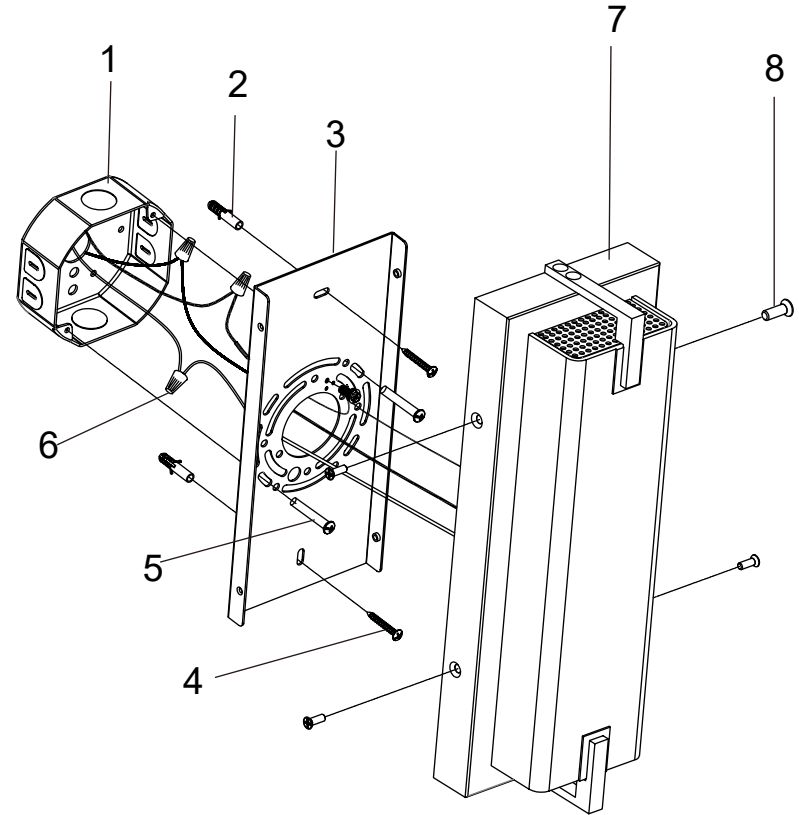
READ AND FOLLOW SAFETY INFORMATION

Turn off the main power at the circuit breaker before installing and servicing the fixture to prevent possible injury from electric shock.

All electrical connections must be in accordance with local and National Electrical Code (N.E.C.) standards. If you are unfamiliar with proper electrical wiring connections, obtain the services of a qualified electrician.

INSTALLATION & ASSEMBLY

- 1.Center the mounting plate (3) over the outlet box (1) and mark the location of the holes for the wall anchors (2).
2. Drill a hole at two marked locations, and then insert a wall anchor (2) into each hole. The wall anchor screws (4) fix the mounting plate (3) in the wall anchor (2). Screw the mounting plate (3) in the outlet box (1) with the mounting screws (5).
3. Attach the black supply wire to the black fixture wire by using the wire nut (6). Attach the white supply wire to the white fixture wire by using the wire nut (6). Connect the fixture ground wire to the supply ground wire using a wire nut (6). Tuck all wires back into the outlet box.
4. Attach the fixture (7) back plate firmly to mounting plate (3) and mount against the wall. Secure in place with fixture screws (8).
5. Restore electrical power when complete.



- | | |
|------------------------------|------------------|
| 1. OUTLET BOX (NOT INCLUDED) | 6. WIRE NUT |
| 2. WALL ANCHOR | 7. FIXTURE |
| 3. MOUNTING PLATE | 8. FIXTURE SCREW |
| 4. WALL ANCHOR SCREW | |
| 5. MOUNTING SCREW | |