



Operation Instruction

— By Pass/Line Voltage

Product Name: LED Plug-in

Product Model: 81056-SU

1.Product Features:

- UL certified
- Full glass housing: No aging yellowing bending
- Works without need of ballast

2.Product Applications:

Widely used in residential buildings, offices, shopping malls, supermarkets, hospitals, assembly lines, warehouses, etc. for energy saving illumination.

3.Installation Instructions:

Please completely comply with this instructions and notes, to ensure that the product is operated in a safe condition.

⚠ Safety Precautions:

For your safety and others', please read the precaution carefully before installation:

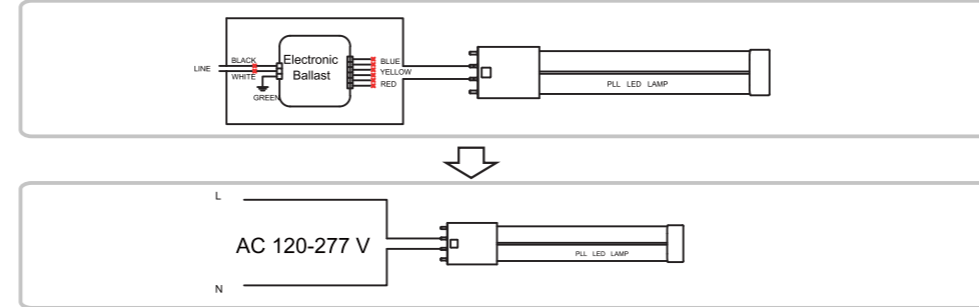
- (1). Product should be installed by qualified electrician.
- (2). Switch off the power supply before commencing work, make sure correct connection before powering on.
- (3). Do not use LED driver with the product.
- (4). NOT FOR EMERGENCY LIGHTING.

Sunshine Lighting Company

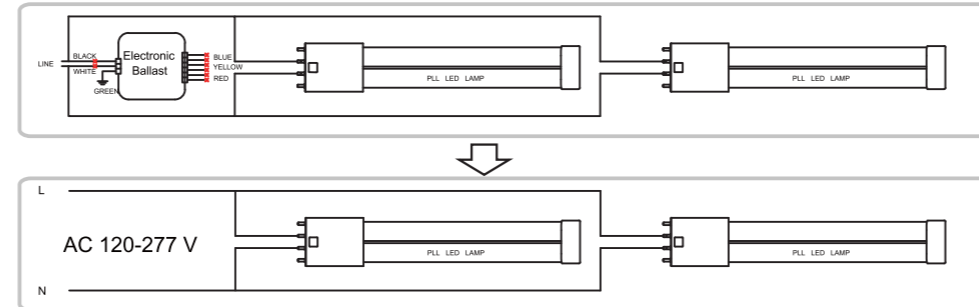
744 CLINTON STREET
BROOKLYN, NY 11231 USA
TEL:718-768-7000
FAX:718-768-0970

Wiring Instruction-Electronic Ballast

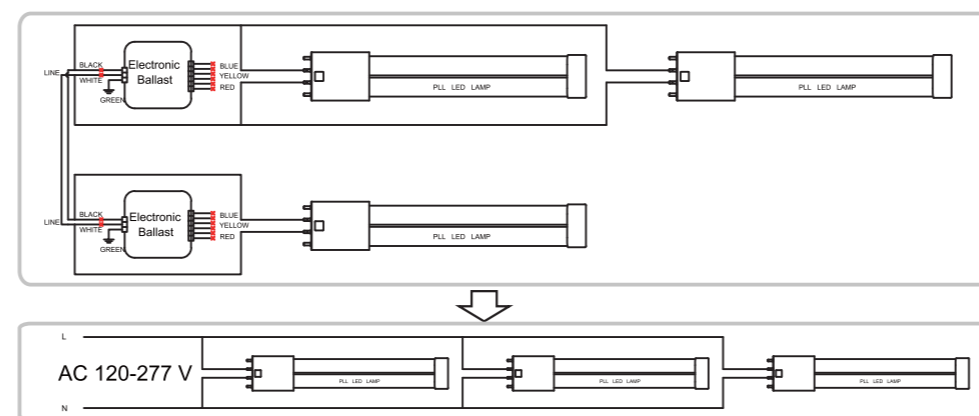
Retrofit luminaire with 1 lamp



Retrofit luminaire with 2 lamp



Retrofit luminaire with 3 lamp



▲ WARNING:

Risk of fire or electric shock. LED Retrofit Kit installation requires knowledge of luminaires electrical systems. If not qualified, do not attempt installation. Contact a qualified electrician.

Risk of fire or electric shock. Install this kit only in luminaires that have the construction features and dimensions shown in the photographs and/or drawings and where the input rating of the retrofit kit does not exceed the input rating of the luminaire.

To prevent wiring damage or abrasion, do not expose wiring to edges of sheet metal or other sharp objects.

Installers should not disconnect existing wires from lampholder terminals to make new connections at lampholder terminals. Instead installers should cut existing lampholder leads away from the lampholder and make new electrical connections to lampholder lead wires by employing applicable connectors.

THIS RETROFIT KIT IS ACCEPTED AS A COMPONENT OF A LUMINAIRE WHERE THE SUITABILITY OF THE COMBINATION SHALL BE DETERMINED BY AUTHORITIES HAVING JURISDICTION.

THIS DEVICE IS NOT INTENDED FOR USE WITH EMERGENCY EXITS