

sunlite®

INSTALLATION INSTRUCTIONS

LED OUTDOOR WALL SCONCE | 81222-SU



Please read and understand this entire manual before attempting to assemble, operate or install the product.

WARNING: Avoid fire or electric shock. Follow installation instructions carefully. If unsure about electrical installation, consult a qualified electrician. Wear rubber-soled shoes and work on a sturdy wooden ladder. Ground fixture to avoid potential electric shock.

This device complies with part 15 of the FCC rules. Operation is subject to the following two conditions: (1) This device may not cause harmful interference, and (2) this device must accept any interference received, including interference that may cause undesired operation.

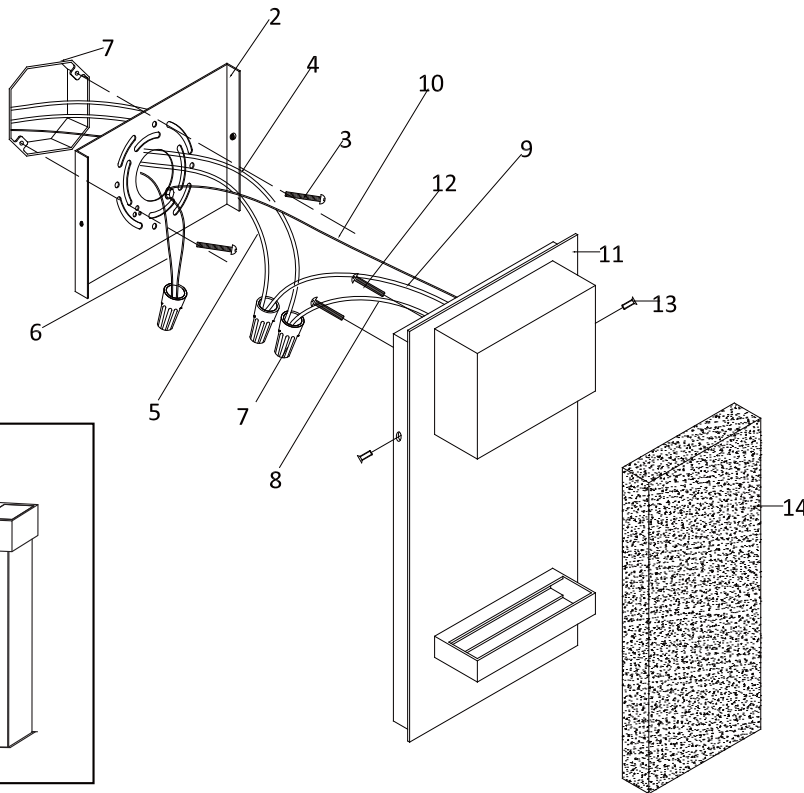
CAUTION: Turn off the power at fuse or circuit breaker box before installation and maintenance. To avoid electric shock or component damage, disconnect product and allow cooling prior to servicing. Fixture must be installed according to National Electric Code (N.E.C.) and local building codes. This fixture is suitable for 100-277 Volts fused circuit. Not use with dimmer. Suitable for wet location.

Retain these instructions for future maintenance reference

v2022a

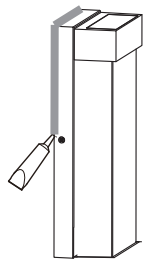


Installation & Assembly



1. OUTLET BOX (Excluded)
2. MOUNTING BRACKET
3. MOUNTING SCREW
4. WHITE SUPPLY WIRE
5. BLACK SUPPLY WIRE
6. HOUSE GROUND WIRE
7. WIRE NUTS
8. WHITE FIXTURE WIRE
9. BLACK FIXTURE WIRE
10. FIXTURE GROUND WIRE
11. FIXTURE
12. SHADE SCREWS
13. FIXTURE SCREW
14. GLASS SHADE

Fig.2



Make sure the power is turned off at the source to the junction box.

1. Pull the Supply Wires (4 & 5) and house Ground Wire (6) out from the Outlet Box (1). Attach the Mounting Bracket (2) to the Outlet Box using two Mounting Screws (3).
2. Make wire connections, connect the Black Supply Wire (5) to Black Fixture Wire (11), White Supply Wire (4) to White Fixture Wire (10) and the Fixture Ground Wire (12) to Supply Ground Wire (6) using Wire Nuts (7). Wrap all wire connections with electrical tape for secure connection.
3. Place the Glass Shade (14) of the lamp over the Mounting Bracket (11). Insert the Fixture Shade Screws (12).
4. Place the Fixture (11) of the lamp over the Mounting Bracket (2). Insert the Fixture Screws (13) and tighten to secure the lamp to the wall.
5. After installing the fixture, caulk upper 2/3 of wire connection enclosure to mounting surface. Leave bottom 1/3 un-caulked for drainage of any water that might leak into the enclosure. The manufacturer recommends a non-drying exterior caulking material. A good example is a clear silicone rubber sealant for exterior use. (Fig.2)
6. Installation complete, restore power at the circuit breaker and turn light switch on to activate this fixture.
7. This is integrated led fixture, no bulbs to replace.