

INSTALLATION INSTRUCTIONS

LED WALL SCONCE

100-277V AC/60Hz Input, 120V Triac Dimmable

READ AND FOLLOW SAFETY INFORMATION

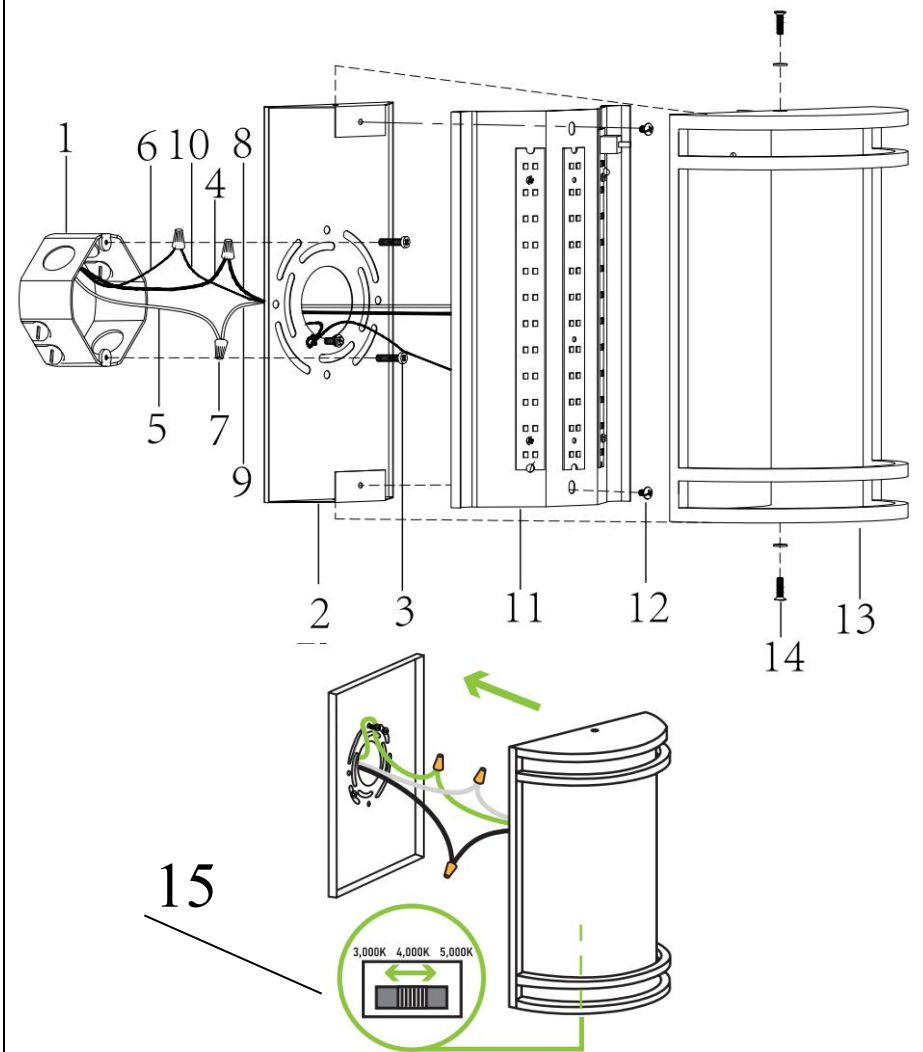
CAUTION - Turn off the main power at the circuit breaker before installing and servicing the fixture to prevent possible injury from electric shock. All electrical connections must be in accordance with local and National Electrical Code (N.E.C.) standards. If you are unfamiliar with proper electrical wiring connections, obtain the services of a qualified electrician.

INSTALLATION & ASSEMBLY

1. Pull the power supply wires out from the outlet box (1). Attach the mounting backplate(2) to the outlet box using two mounting screws (3).
2. Make wire connections, connect the black supply wire (4) to black fixture wire (8), white supply wire (5) to white fixture wire(9) and the fixture ground wire(10) to supply ground wire(6) using wire nuts (7). Wrap all wire connections with electrical tape for secure connection.
3. Place the Back plate (11) of the fixture over the mounting brackplate (2) by using screws (12), then choose needed color temperature by adjusting the switch(15) position.then install the metal frame with acrylic lens onto the back plate by using fixture screws (14) to tighten the fixture mounting to the wall.
4. Installation complete, restore power at the circuit breaker and turn light switch on to activate this fixture.

Care and maintenance – Use a clean, soft cloth to wipe the surface of the fixture.

DO NOT use any cleaners with chemicals, solvents or harsh abrasives
Replacement- This LED product has no bulb to replace.



- | | |
|-----------------------|-----------------------------------|
| 1. OUTLET BOX | 8. BLACK FIXTURE WIRE |
| 2. (NOT INCLUDED) | 9. WHITE FIXTURE WIRE |
| 3. MOUNTING BRACKET | 10. FIXTURE GROUND WIRE |
| 3. MOUNTING SCREW | 11. BACK PLATE |
| 4. BLACK SUPPLY WIRE | 12. SCREW |
| 5. WHITE SUPPLY WIRE | 13. METAL FRAME WITH ACRYLIC LENS |
| 6. SUPPLY GROUND WIRE | 14. FIXTURE SCREWS |
| 7. WIRE NUT | 15. CCT Switch |