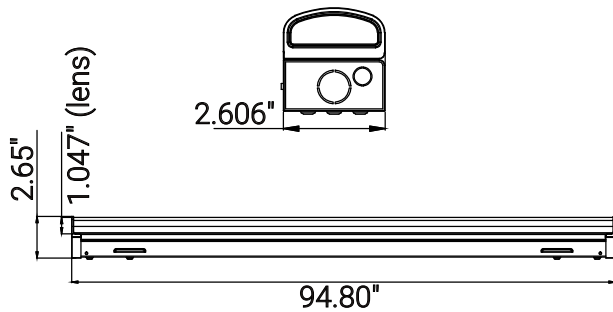


# 85629-SU



SF/ST/LN/96/MW/83S/MV/WH/BLS

SF/ST/LN/96/MW/83S/MV/WH/BLS 96" Linear Strip Light, Selectable CCT and Wattage with Bi-Level Sensor



Project: \_\_\_\_\_  
Type: \_\_\_\_\_  
Catalog #: \_\_\_\_\_  
Date: \_\_\_\_\_  
Comments: \_\_\_\_\_

## Technical Specifications

### Photometrics

Lumen	4329/6435/8560
Emitted Color	CCT Selectable
Color Temp	35K/40K/50K
Color Rendering Index (CRI)	80
Beam Spread	140x110
Lifespan	50000

### Electrical

Watt	30/45/60
Input Voltage	120-277
Power Factor	0.9
Dimmable	0-10V Low Voltage

### Ratings / Certifications

Safety Certification	ETL - Damp Location
DLC	S-Z60J2N, S-87ZF9J
Operating Temperature	-4°F - 122°F
Warranty	5 Years

### Construction

Fixture Material	Steel
Fixture Finish	White
Lens Material	Polycarbonate
Lens Finish	White
Shape	Linear
Mounting	Surface