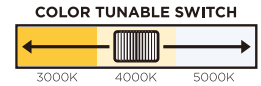


sunlite®

INSTALLATION INSTRUCTIONS

LED CEILING FIXTURE | 87780-SU

DIMMABLE 10-100%*



Please read and understand this entire manual before attempting to assemble, operate or install the product.

WARNINGS & CAUTIONS: Risk of fire or electric shock. Turn power off before inspection, installation, or removal. Before installation, thoroughly review enclosed installation manual. This product must be installed in accordance with the applicable installation code by a person familiar with the construction and operation of the product and the hazards involved. If you do not have sufficient electrical wiring experience, please consult a qualified electrician. All work should be done by a qualified electrician. Do not make or alter any open holes in an enclosure of wiring or electrical components during installation. To prevent wiring damage or abrasion, do not expose wiring to edges of sheet metal or other sharp objects. Type IC - Inherently Protected. Covered ceiling mount only. Operating temperature -20°C – 45°C (-4°F – 113°F). Suitable for damp locations.



AVERTISSEMENT – Risque d'incendie ou de choc électrique. Ce produit doit être installé selon le code d'installation pertinent, par une personne qui connaît bien le produit et son fonctionnement ainsi que les risques inhérents. Convient aux emplacements mouillés. Peut être utilisé à une température ambiante n'excédant pas 45°C. Type IC - Protection inhérente. Cet appareil n'est pas destiné à être utilisé dans les issues de secours. Installation sur plafond couvert seulement.

*The lamp may not be compatible with all dimmers. Go to www.Sunlite.com/Dimmers to find dimmer compatibility information.

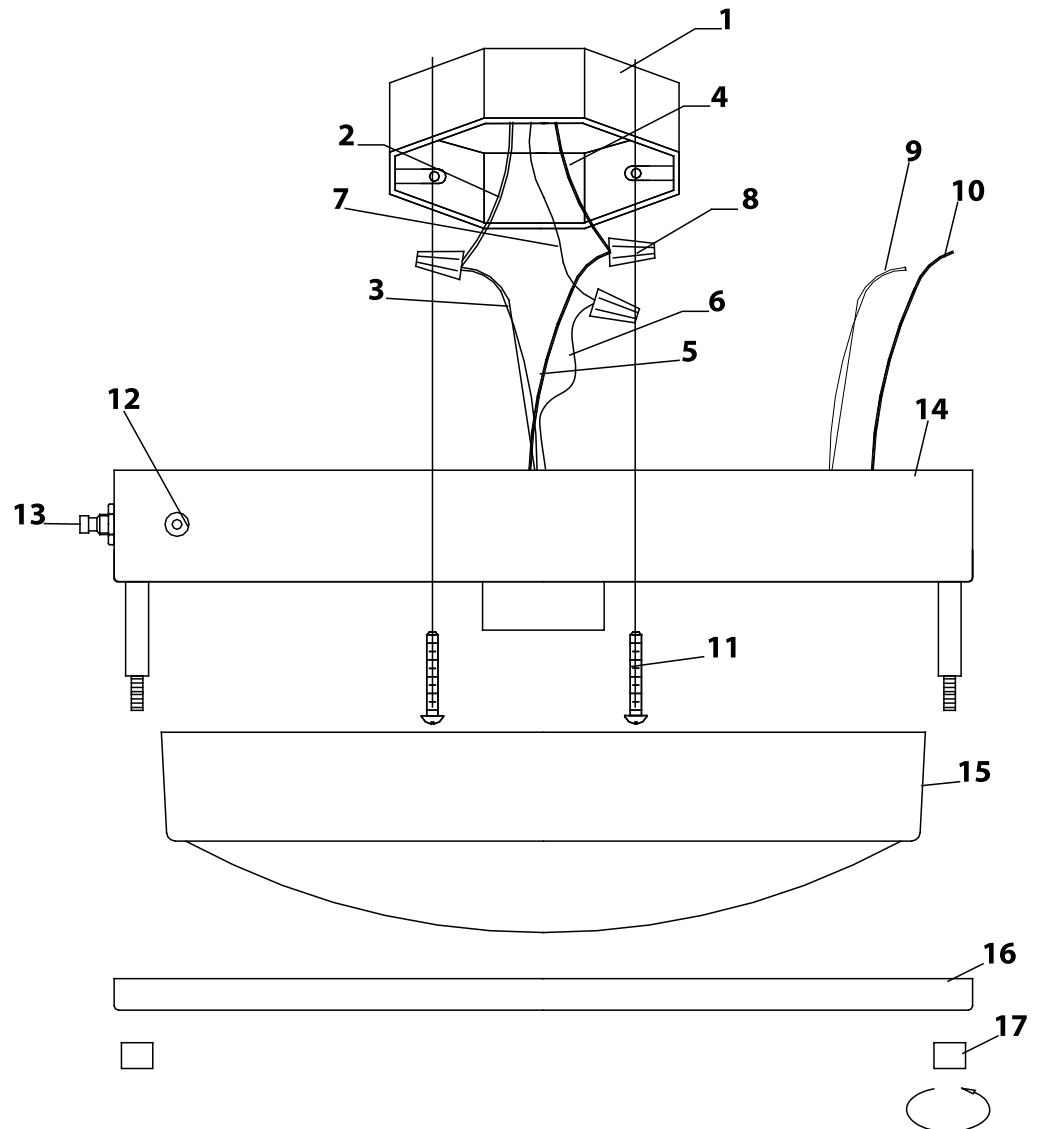
Retain these instructions for future reference.

Pre-Installation

GENERAL:

Remove the fixture from the box and make sure that no parts are missing by referencing the illustrations

1. Outlet box (Not included)
2. White supply wire
3. White fixture wire
4. Black supply wire
5. Black fixture wire
6. Fixture ground wire
7. House ground wire
8. Wire connector
9. Battery charger white wire
10. Battery charger black wire
11. Fixture screws
12. LED indication red light
13. Test switches
14. Fixture pan
15. Lens
16. Ring
17. Cap nuts



Installation

ASSEMBLY AND INSTALLATION

1. Pull the *Supply wires (2 and 4)* and *House ground wire (7)* out from the *Outlet box (1)*, carefully.
2. Thread the *Fixture screws (11)* into the appropriate threaded holes of the *Outlet box (1)*.
3. Connect the *Black fixture wire (5)* to the *Black supply wire (4)* and the *White fixture wire (3)* to the *White supply wire (2)* using wire nut.
4. Connect the *Fixture ground wire (6)* to the supply ground wire together using wire nut. Wrap all wire connections with electrical tape to ensure secure connection.
5. Insert the male connector of the driver to the female end of the battery.
6. Carefully tuck all wires back into the *Outlet box (1)*. Place the *Fixture pan (14)* over the Outlet box and feed the *Fixture screws (11)* through keyhole slots. Rotate the Fixture pan clockwise until screws slide into the narrow end of the keyhole slots and tighten firmly.
7. Secure the *Lens (15)* and *Ring (16)* to the Fixture pan using three *Cap nuts (17)*.