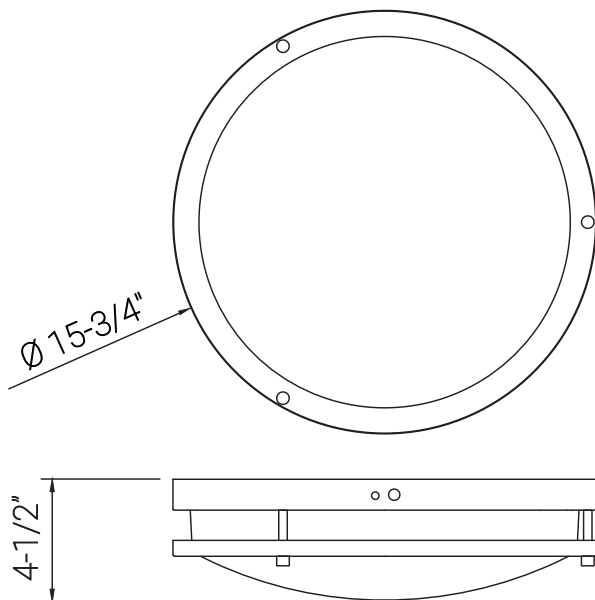


# 87781-SU



LFX/DC016/BN/24W/SCT/MV/EM

16-Inch LED Double Band Trim Flush Mount Light Fixture, 24 Watts, 1700 Lumens, Color Selectable 30K/40K/50K, 100-277V, Dimmable, ETL Listed, Emergency Backup Battery, Brushed Nickel



Project: \_\_\_\_\_  
Type: \_\_\_\_\_  
Catalog #: \_\_\_\_\_  
Date: \_\_\_\_\_  
Comments: \_\_\_\_\_

## Technical Specifications

### Photometrics

Lumen	1700
Emitted Color	CCT Selectable
Color Temp	30K/40K/50K
Color Rendering Index (CRI)	80
Beam Angle	
Lifespan	50000

### Electrical

Watt	24
Input Voltage	100-277
Power Factor	
Dimmable	Not Dimmable

### Ratings / Certifications

Safety Certification	N/A
Energy Star Certified	False
Operating Temperature	
Warranty	5 Years

### Construction

Fixture Material	Steel & Acrylic
Fixture Finish	Brushed Nickel
Lens Material	
Lens Finish	White
Shape	Round
Mounting	Indoor