

sunlite®

INSTALLATION INSTRUCTIONS

Model: 88178-SU | LFX/WL/2H/144W/40K | LED WORK LIGHT



Please read and understand this entire manual before attempting to assemble, operate or install the product.

WARNING: Avoid fire or electric shock. Follow installation instructions carefully. Use only 3-Wire UL Listed outdoor extension cords that have 3-prong grounded plugs and grounded receptacles that accept the work light's plug. Inspect cords and connections for any wear or damage before use. Keep plugs and receptacles dry at all times. Under wet or damp conditions, use only GFCI protected circuits. Do not pull on power cord to move this product. To avoid a hazard to children, account for all parts and destroy all packing materials.

CAUTION: Always unplug work light and allow lamp head to cool. The work light lamp head gets HOT very quickly. Only touch the power plug or handle when turning the lamp head ON or OFF. Do not use in on hot surfaces. Do not remove the lens protecting the LED. Do not use in areas near a gas source, THIS FIXTURE BODY IS ONE PIECE, DO NOT DISASSEMBLE OR MAKE ALTERATIONS. Never use product if light is damaged or bare wires are exposed. Suitable for Wet Location Use.

This device complies with part 15 of the FCC Rules. Operation is subject to the following two conditions: (1) this device may not cause harmful inference, and (2) this device must accept any inference received, including that may cause undesired operation.

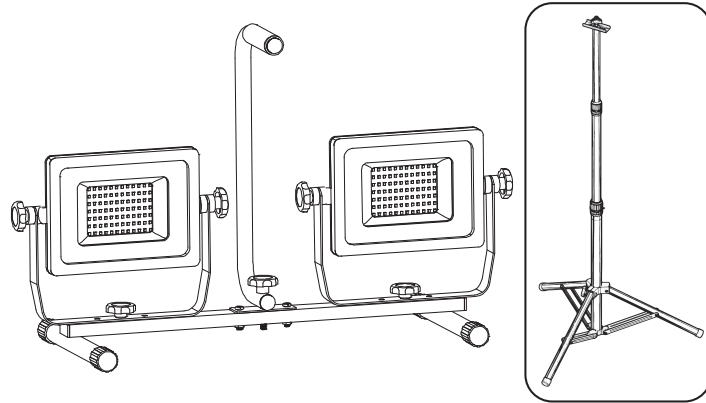


Do not look directly at the LED lights for any length of time.

Do not shine the light directly into other people's eyes.

Do not remove protective lens covering LED lights.

Retain these instructions for future maintenance reference.



Installation

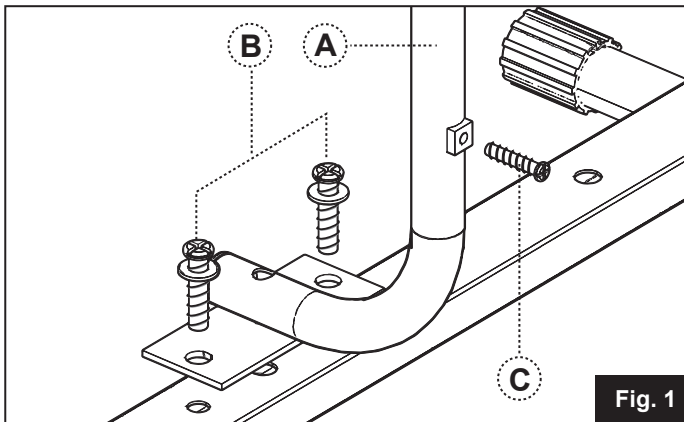


Fig. 1

STEP 1. CENTER HANDLE ASSEMBLY (FIG. 1)

Remove the two bolts (B) from the "H" Sled. Fasten the Handle to the Sled with the bolts as shown. attach the Y cord joint to the handle by the center screw (C).

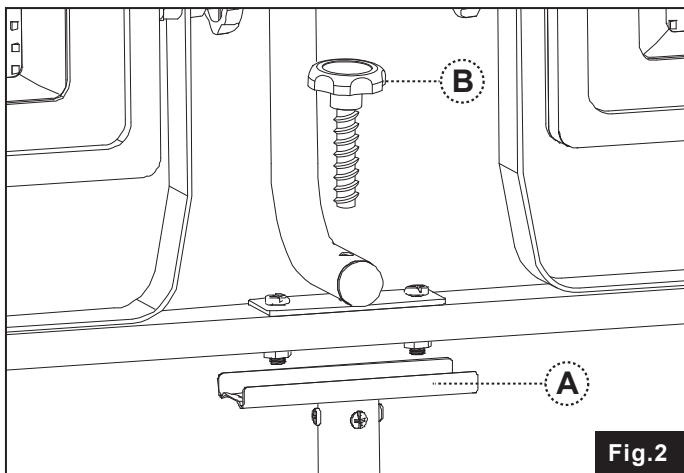


Fig. 2

STEP 2. MOUNTING THE LED LIGHT TO THE TRIPOD (Fig. 2)

Place the LED Sled Assembly on the tripod rectangular mounting shoe (A). Align the center handle hole, to the hole at the top of the Tripod Stand. Insert the Knob with threaded Bolt (B) through the handle and into the tripod center hole. Twist and tighten the knob until snug.

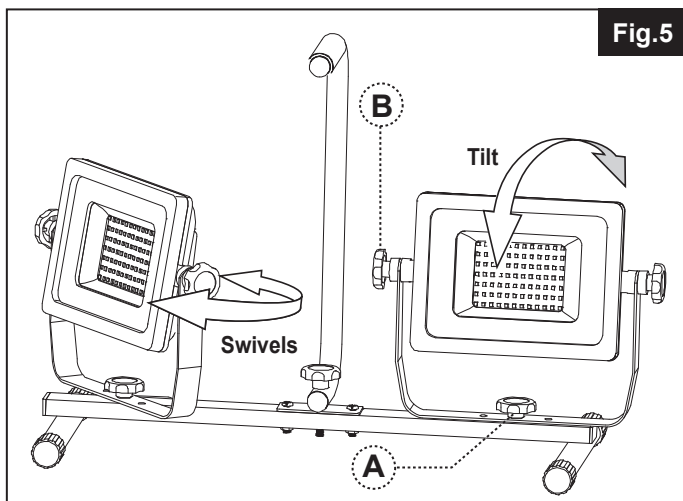
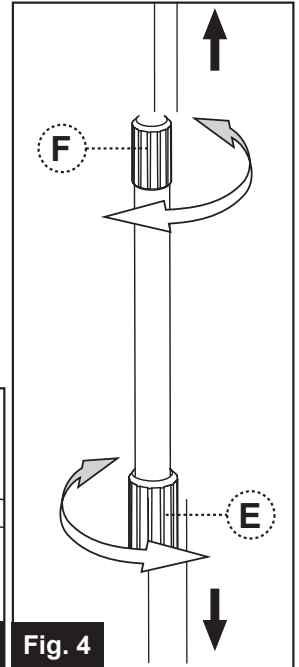
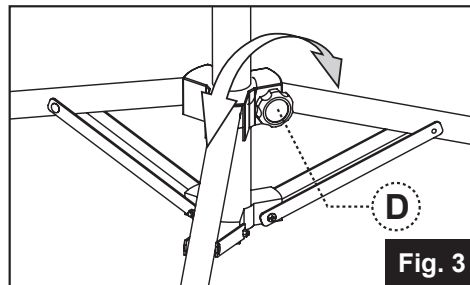
Operating Instructions

STEP 3 TRIPOD STAND SETUP

Loosen the Knob (D) located at the bottom junction of the three legs (Fig. 3). Fully spread the legs apart by pulling the legs outward to start and then pushing down on the Bottom Junction. Tighten the knob until snug. Do not over tighten.

To adjust the height of the Tripod Stand (Fig. 4), loosen the lower Twist Grip (E) and raise the tube until the proper height is achieved. Tighten the Twist Knob enough so the tube will hold its position. If additional height is needed, follow the same procedure with the upper Twist Knob (F). The maximum height of the stand, both sections fully extended, is 56 inches.

Place the stand on a firm, level surface. **CAUTION: Never place the tripod on a steep incline or unstable surface. the tripod may tip causing injury.**



STEP 4

Plug power cord into 110-120V standard wall outlet. Push the red switch at the top of enclosure to turn the light on. Each of the light heads has an ON/OFF switch. This provides two levels of light when operating one light or two lights. Always turn each light head off before unplugging the work light.

To adjust the direction of the LED Light Heads. Loosen the Knobs (A) to swivel or Knobs (B) to tilt the LED Light Heads to the desired position. Retighten the Knob(s) to hold the position.