

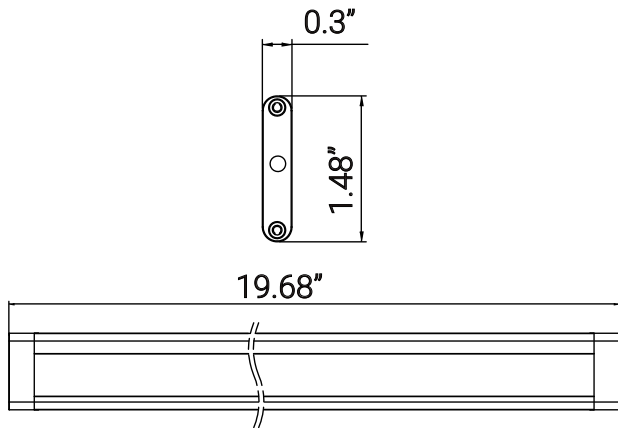
88619-SU

sunlite[®]

LFX/UCF/20/30K

Under Cabinet Fixture

Project: _____
Type: _____
Catalog #: _____
Date: _____
Comments: _____



Technical Specifications

Photometrics

Lumen	480
Emitted Color	Warm White
Color Temp	3000K
Color Rendering Index (CRI)	80
Beam Spread	180°
Lifespan	50000

Electrical

Watt	8
Input Voltage	24
Power Factor	
Dimmable	

Ratings / Certifications

Safety Certification	UL Listed
DLC	FALSE
Operating Temperature	-20° to 40° C
Warranty	5 Years

Construction

Fixture Material	Metal & Plastic
Fixture Finish	White
Lens Material	
Lens Finish	
Shape	Linear
Mounting	Under Cabinet

