

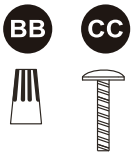
sunlite®

INSTALLATION INSTRUCTIONS

HALF CYLINDER WALL SCONCE | 88682-SU LFX/WS/SCT/HC/12W/BK



Introduction



Part	Item Name
A	HALF CYLINDER WALL SCONCE
BB	Wire Nuts
CC	4X30MM Screws

Installation

Assembly Instructions

Step 1 – Preparing for installation.

- Disconnect electrical power at fuse or circuit breaker box before installing or servicing any part of this fixture.
- Carefully remove the fixture from the carton and check that all parts are included.
- Disassemble mounting bracket (1) from the fixture housing (3) by removing all necessary components per illustration shown.
- Install mounting bracket (1) to the junction box (not included).

Wiring—all wiring must take place inside junction box (not included).

Step 2 – Wiring fixture.

- Make all wire connections to appropriate wire. Secure with wire nuts (provided).
- Connect the bare wire from the fixture and the supply power source ground wire.
- Connect the black wire from the fixture to the black (L) wire from supply power source.
- Connect the white wire from the fixture to the white (N) wire from supply power source.
- Pull on each wire lead to make sure connections are secure. Make certain no bare wires are exposed outside of wire connectors. Tuck all connections neatly into the junction box.

Step 3 – Mounting.

- Place the fixture housing(3) on the mounting bracket(1), install the fixture housing(3) by twisting finials(8). Make sure the unit is tightened against the wall.
- Slide the diffuser(4) into the fixture housing(3) from bottom. Twist the metal screw(7) to hold the diffuser.
- Apply a small amount of silicone (not included) per manufacturer's instruction around finials (8) and around the fixture housing (3) where it contacts with the surface of the wall.

Step 4 – Restore power at fuse or circuit breaker box.

Please read and understand this entire manual before attempting to assemble, operate or install the product.

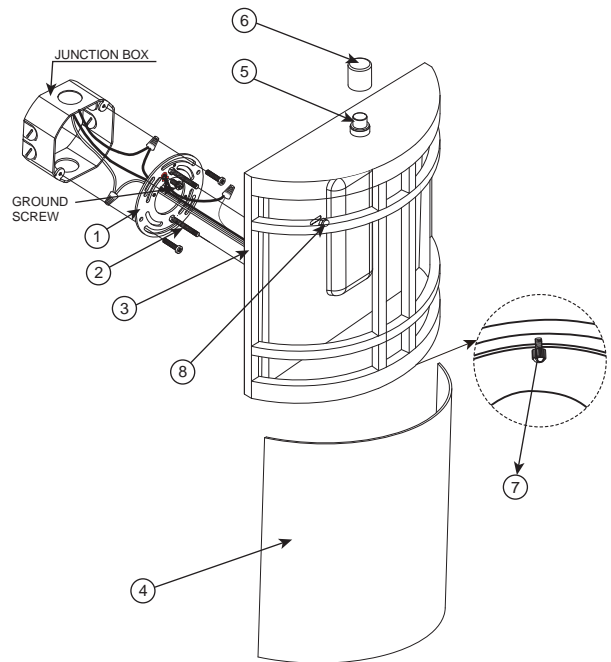
WARNING: Avoid fire or electric shock. Follow installation instructions carefully. If unsure about electrical installation, consult a qualified electrician. Wear rubber-soled shoes and work on a sturdy wooden ladder. Ground fixture to avoid potential electric shock. Handle metal parts carefully to prevent cuts. To avoid a hazard to children, account for all parts and destroy all packing materials. **MIN 75°C SUPPLY CONDUCTOR.**



This device complies with part 15 of the FCC rules. Operation is subject to the following two conditions: (1) This device may not cause harmful interference, and (2) this device must accept any interference received, including interference that may cause undesired operation.

CAUTION: Turn off the power at fuse or circuit breaker box before installation and maintenance. NOTE: This fixture is suitable for 120Volts fused circuit. Fixture must be installed according to National Electric Code and local building codes. If you are unsure about wiring, consult a qualified electrician. Suitable for wet Locations.

Before beginning assembly and installation of product, make sure all parts are present. Compare parts with package contents list and diagram above. If any part is missing or damaged, do not attempt to assemble, install or operate the product. Contact customer service for replacement parts.



Sunshine Lighting Company

744 Clinton Street Brooklyn, NY 11231, USA

T. 718.768.7000

F. 718.768.0970

www.sunlite.com