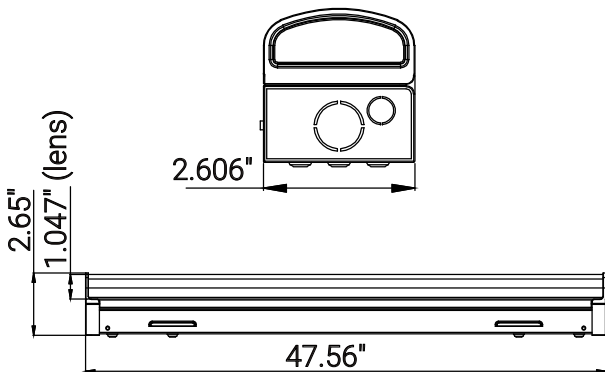


# 85660-SU



SF/ST/LN/48/MW/85S/MV/WH/BLS

48" Linear Strip Light, Selectable CCT And Wattage With Bi-Level Sensor (Assy.)



Project: \_\_\_\_\_  
 Type: \_\_\_\_\_  
 Catalog #: \_\_\_\_\_  
 Date: \_\_\_\_\_  
 Comments: \_\_\_\_\_

## Technical Specifications

### Photometrics

|                             |                     |
|-----------------------------|---------------------|
| Lumen                       | 3877/4702/5287      |
| Emitted Color               | CCT Selectable      |
| Color Temp                  | 27K/30K/35K/40K/50K |
| Color Rendering Index (CRI) | 80                  |
| Beam Spread                 | 140°                |
| Lifespan                    | 50000               |

### Electrical

|               |                   |
|---------------|-------------------|
| Watt          | 28/35/40          |
| Input Voltage | 120-277           |
| Power Factor  | 0.9               |
| Dimmable      | 0-10V Low Voltage |

### Ratings / Certifications

|                       |                     |
|-----------------------|---------------------|
| Safety Certification  | ETL - Damp Location |
| DLC                   |                     |
| Operating Temperature | -4°F - 122°F        |
| Warranty              | 5 Years             |

### Construction

|                  |               |
|------------------|---------------|
| Fixture Material | Steel         |
| Fixture Finish   | White         |
| Lens Material    | Polycarbonate |
| Lens Finish      | White         |
| Shape            | Linear        |
| Mounting         | Surface       |