

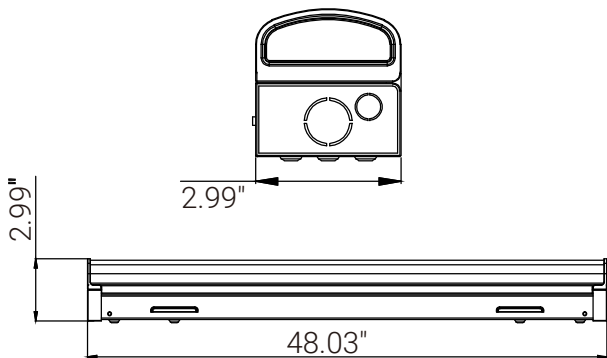
85668-SU



SF/ST/LN/48/MW/85S/MV/WH

48" Linear Strip Light, Selectable CCT And Wattage

Project: _____
Type: _____
Catalog #: _____
Date: _____
Comments: _____



Technical Specifications

Photometrics

| | |
|-----------------------------|---------------------------|
| Lumen | 4500/6000/7500/9000/10500 |
| Emitted Color | CCT Selectable |
| Color Temp | 30K/35K/40K/50K/65K |
| Color Rendering Index (CRI) | 80 |
| Beam Spread | 140° |
| Lifespan | 50000 |

Electrical

| | |
|---------------|-------------------|
| Watt | 30/40/50/60/70W |
| Input Voltage | 120-277 |
| Power Factor | 0.9 |
| Dimmable | 0-10V Low Voltage |

Ratings / Certifications

| | |
|-----------------------|--------------------|
| Safety Certification | UL - Damp Location |
| DLC | TRUE |
| Operating Temperature | -4°F - 122°F |
| Warranty | 5 Years |

Construction

| | |
|------------------|---------------|
| Fixture Material | Steel |
| Fixture Finish | White |
| Lens Material | Polycarbonate |
| Lens Finish | White |
| Shape | Linear |
| Mounting | Surface |