

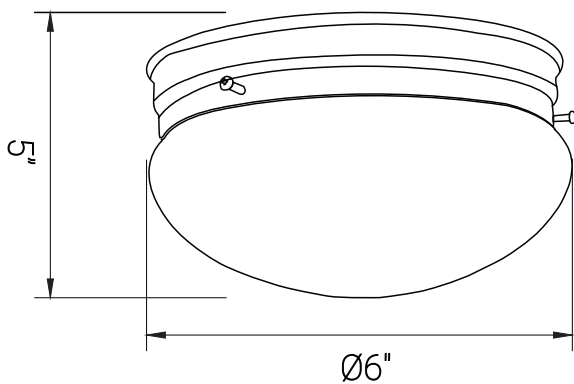
# 04490-SU

**sunlite**

HALL6/WH

HALL6/WH WHITE FIXTURE SUNLITE

Project: \_\_\_\_\_  
Type: \_\_\_\_\_  
Catalog #: \_\_\_\_\_  
Date: \_\_\_\_\_  
Comments: \_\_\_\_\_



## Technical Specifications

### Electrical

Max Wattage	60
Base	E26
Volts	120
Number Of Lights	1
Bulb Included	False
Application	Residential

### Ratings / Certifications

Safety Certification	UL Listed
Use Location	Indoor
Fixture Technology	Non LED
Warranty	2 Years

### Construction

Fixture Material	Metal & Glass
Fixture Finish	White
Lens Material	Glass
Lens Finish	White
Shape	Round
Mounting	Surface