

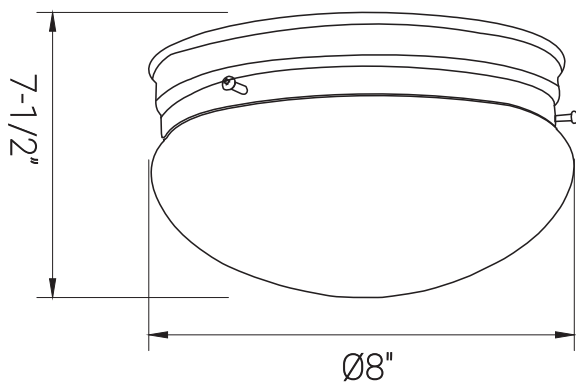
# 04498-SU



HALL8/PB/GU24/2-18/ES

HALL8/PB/GU24/2-18/ES BRASS 36W MUSHRM ES FIX SUN

Project: \_\_\_\_\_  
Type: \_\_\_\_\_  
Catalog #: \_\_\_\_\_  
Date: \_\_\_\_\_  
Comments: \_\_\_\_\_



## Technical Specifications

### Electrical

Max Wattage	18
Base	GU24
Volts	120
Number Of Lights	2
Bulb Included	True
Application	Residential

### Ratings / Certifications

Safety Certification	FALSE
Use Location	Indoor
Fixture Technology	Non LED
Warranty	2 Years

### Construction

Fixture Material	Metal & Glass
Fixture Finish	Polished Brass
Lens Material	Glass
Lens Finish	White
Shape	Round
Mounting	Surface