

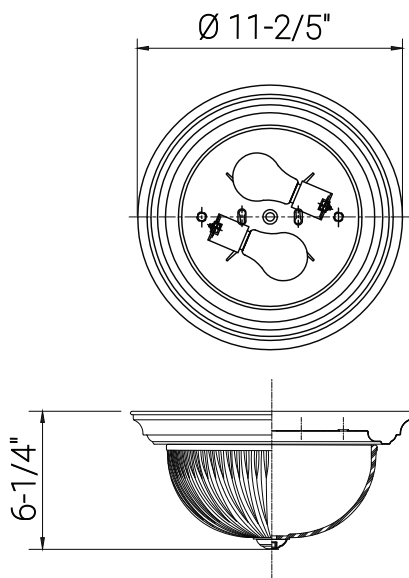
04572-SU

sunlite[®]

DBS11/CL

DBS11/CL BRASS DOME FIXTURE SUNLITE

Project: _____
Type: _____
Catalog #: _____
Date: _____
Comments: _____



Technical Specifications

Electrical

Max Wattage	60
Base	E26
Volts	120
Number Of Lights	2
Bulb Included	False
Application	Residential

Ratings / Certifications

Safety Certification	UL Listed
Use Location	Indoor
Fixture Technology	Non LED
Warranty	2 Years

Construction

Fixture Material	Metal & Glass
Fixture Finish	Polished Brass
Lens Material	Glass
Lens Finish	Clear
Shape	Round
Mounting	Surface