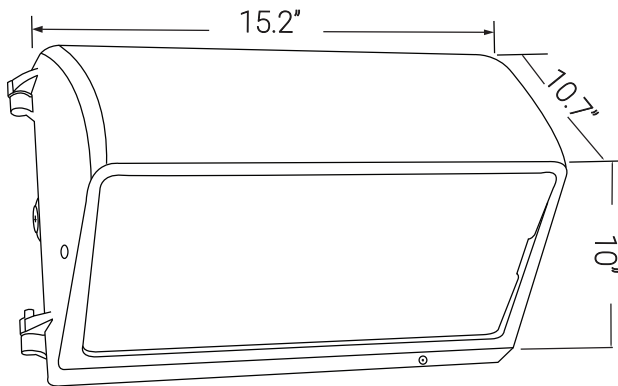


# 04943-SU



WPLF242/MV/ES

Watt Energy Saving Fluorescent Large Wall Pack Fixture, Bronze Powder Finish, Clear Tempered Glass, Multi-Volt



Project: \_\_\_\_\_  
Type: \_\_\_\_\_  
Catalog #: \_\_\_\_\_  
Date: \_\_\_\_\_  
Comments: \_\_\_\_\_

## Technical Specifications

### Electrical

|                  |            |
|------------------|------------|
| Max Wattage      | 42         |
| Base             | GX24q4     |
| Volts            | 120-277    |
| Number Of Lights | 2          |
| Bulb Included    | TRUE       |
| Application      | Commercial |

### Ratings / Certifications

|                      |                          |
|----------------------|--------------------------|
| Safety Certification | UL Listed - Wet Location |
| Use Location         | Outdoor                  |
| Fixture Technology   | Fluorescent              |
| Warranty             | Years                    |

### Construction

|                  |                   |
|------------------|-------------------|
| Fixture Material | Die Cast Aluminum |
| Fixture Finish   | Bronze            |
| Lens Material    | Glass             |
| Lens Finish      | Clear             |
| Shape            | Rectangle         |
| Mounting         | Wall              |