

# INSTALLATION INSTRUCTIONS

## Steel LED Exit Sign # 05276-SU



### IMPORTANT SAFETY INSTRUCTIONS

When using electrical equipment, basic safety precautions should always be followed, including the following:

### READ AND FOLLOW ALL SAFETY INSTRUCTIONS

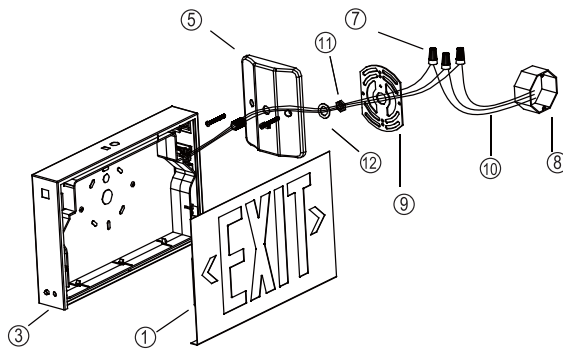
- ⚠ WARNING: FAILURE TO FOLLOW THESE INSTRUCTIONS AND WARNINGS MAY RESULT IN DEATH, SERIOUS INJURY OR SIGNIFICANT PROPERTY DAMAGE** - For your protection, read and follow these warnings and instructions carefully before installing or maintaining this fixture. These instructions do not attempt to cover all installation and maintenance situations. If you do not understand these instructions or additional information is required, contact Sunshine Lighting or your local Sunshine Lighting distributor.
- ⚠ WARNING: RISK OF ELECTRIC SHOCK - NEVER CONNECT OR DISCONNECT ANY COMPONENT WHILE POWER SUPPLY IS ENERGIZED.**
- ⚠ WARNING: DO NOT USE ABRASIVE MATERIALS, GLASS CLEANERS OR OTHER SOLVENTS. USE OF THESE SUBSTANCES MAY DAMAGE FIXTURE, WHICH MAY RESULT IN PERSONAL INJURY.**
- ⚠ WARNING: RISK OF PERSONAL INJURY** - This product may have sharp edges. Wear gloves to prevent cuts or abrasions when removing form carton, handling, installing and maintaining this product.
  - Before wiring to power supply, turn off electricity at fuse or circuit breaker.
  - Disconnect A.C. power before servicing.
  - All servicing should be performed by qualified personnel.
  - Consult your local building code for approved wiring and installation.
  - UL Damp Location Listed standard (0°C - 50°C).
  - Do not mount near gas or electric heater.
  - Fixture must be grounded to avoid potential electric shock.
  - Equipment should be mounted in locations and at heights where it will not readily be subjected to tampering by unauthorized personnel.
  - The use of accessory equipment not recommended by the manufacturer may cause an unsafe condition.
  - Do not use this equipment for other than intended use.
  - Do not install a damaged fuxture.
- CAUTION :** Do not use the standby rating to determine the suitability of the branch circuit to which the equipment can properly be connected in accordance with the National Electrical Code, ANSI/NFPA 70.

**SAVE THESE INSTRUCTIONS AND DELIVER TO  
OWNER AFTER INSTALLATION**

## PARTS DESCRIPTION

(All parts provided unless noted otherwise)

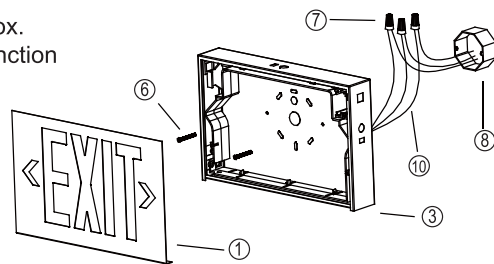
- ① Face Plate
- ② Back Plate
- ③ Housing
- ④ Red or Green Lens
- ⑤ Canopy
- ⑥ Junction Box Screws
- ⑦ Wire Nuts
- ⑧ Junction Box (not provided)
- ⑨ Mounting Bracket
- ⑩ Input Wires
- ⑪ Nut
- ⑫ Washer



**NOTE:** This fixture is for use only with 3-1/2" octagon, 4" octagon, on an unswitched circuit. See Wiring Diagrams and "To Remove Directional Indicators" below before beginning fixture installation. On fixtures with battery: Connect battery only after continuous power can be supplied to fixture. Allow 24 hours charge before initial test or full recharge.

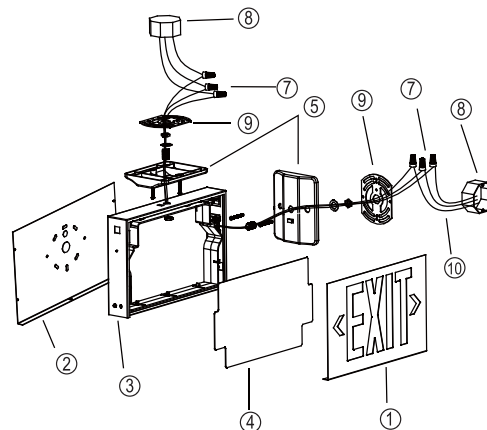
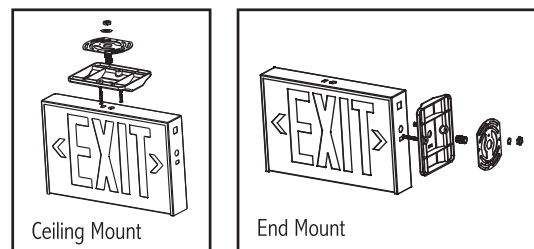
## FLUSH MOUNTING

1. Unscrew the face plate cover.
2. Remove the center KO and also required KOs on the back plate that will match the J-Box.
3. Route the wires through the center knock-out. Make electrical connections inside the junction box as described in the wiring diagrams of this instruction sheet. Push wires back against the back of the sign to minimize any of the wires interfering with the illumination of the letters.
4. Now mount the sign to the J-Box using the screws provided.
5. Remove the proper chevron(s) from the EXIT legend(s) if necessary.
6. Attach battery jumper wire (for battery backup unit) to PC board and replace face plate back on the unit to complete installation.



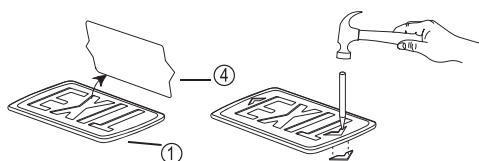
## CANOPY MOUNTING (Top or Side-end Mount)

1. Unscrew the face plate cover.
2. Knock out the circular and rectangular hole covers on the top or the side of the sign. Place one of the nuts from threaded stem rod provided, in the slot inside the housing just inside of the unit, aligned with the circular hole.
3. Feed the AC supply and ground wire through the nut & hole and out of the sign housing.
4. Secure the canopy J-Box cover to the mount area of the exit sign by inserting it in the rectangular hole and shifting it over to align with the circular hole.
5. Feed AC supply wires through threaded stem and screw stem into nut inside unit. Screw the other nut to the threaded stem on the outside of the unit and tighten securely to complete the mounting of the canopy to the exit sign.
6. Determine the position the exit needs to be mounted (the way the face needs to be pointed). Use the included round J-Box mounting plate and align the unit with the J-Box.
7. Make connection with the AC supply wires in the J-Box as described in the wiring diagrams of this instruction.
8. Now mount the sign to the J-Box plate with the (2) #8-32 screws provided and tighten securely.
9. Remove the proper chevron(s) from the EXIT legend(s) if necessary.
10. Attach battery jumper wire (for battery backup unit) to PC board and replace face plate back on unit to complete installation.



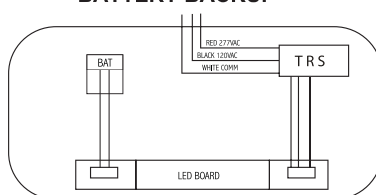
## To Remove Directional Indicators

Use punch or similar tool to tap out the desired knockout along its inside edges.

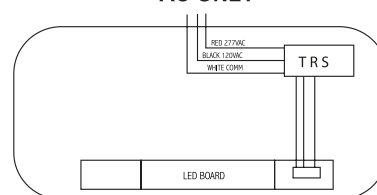


## WIRING DIAGRAMS:

### BATTERY BACKUP



### AC ONLY



**sunlite**

A Sunshine Lighting Company  
744 Clinton Street, Brooklyn, NY 11231  
Tel: 718-768-7000 www.sunlite.com