

# INSTALLATION INSTRUCTIONS

Please read carefully and save these instructions, as you may need them at a later date.

## CAUTION

Turn off the main power at the circuit breaker before installing the fixture, in order to prevent possible shock.

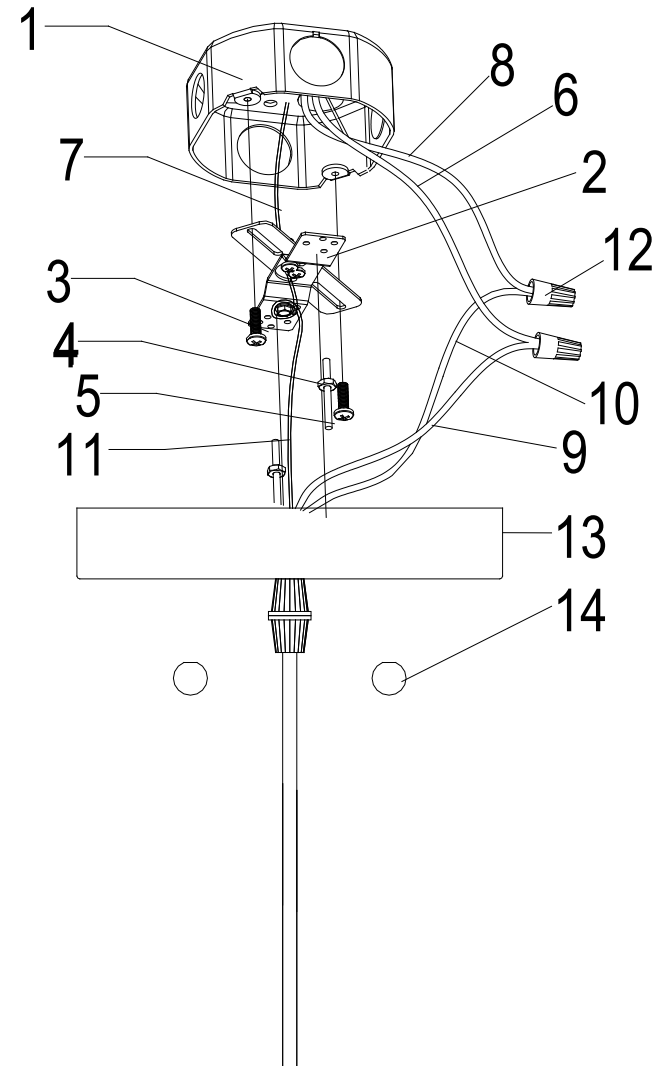
## GENERAL

All electrical connections must be in accordance with local and National Electrical Code (N.E.C.) standards. If you are unfamiliar with proper electrical wiring connections obtain the services of a qualified electrician.

Remove the fixture and the mounting package from the box and make sure that no parts are missing by referencing the illustrations on the installation instructions.

## ASSEMBLY AND INSTALLATION

1. Thread the HEX NUTS (4) onto the FIXTURE MOUNTING SCREWS (5), and screw the SCREWS (5) onto the MOUNTING BRACKET (2), without tightening the HEX NUT (4).
2. Pull the power supply wires out from the OUTLET BOX (1), and mount the MOUNTING BRACKET (2) to the OUTLET BOX (1), using MOUNTING SCREWS (3).
3. Place the CANOPY (13) of the fixture over the OUTLET BOX (1) and onto the FIXTURE MOUNTING SCREWS (5), and adjust the HEX NUTS (4) until it protrudes 1/4" out from the CANOPY (13). Remove the CANOPY (13) and secure the position of the SCREWS (5) by tightening the HEX NUT (4) against the MOUNTING BRACKET (2).
4. Attach the BLACK SUPPLY WIRE (6) to the SMOOTH FIXTURE LEAD WIRE (9) by using the WIRE CONNECTOR (12). In the same manner, attach the WHITE SUPPLY WIRE (8) to the RIBBED FIXTURE LEAD WIRE (10). Connect the FIXTURE GROUND WIRE (11) to the SUPPLY GROUND WIRE (7) using a WIRE CONNECTOR (12).
5. Place the CANOPY (13) back onto the FIXTURE SCREWS (5), and secure into place using the DECORATIVE NUTS (14) provided.



- |                           |                              |
|---------------------------|------------------------------|
| 1. OUTLET BOX             | 9. SMOOTH FIXTURE LEAD WIRE  |
| 2. MOUNTING BRACKET       | 10. RIBBED FIXTURE LEAD WIRE |
| 3. MOUNTING SCREW         | 11. FIXTURE GROUND WIRE      |
| 4. HEX NUT                | 12. WIRE CONNECTOR           |
| 5. FIXTURE MOUNTING SCREW | 13. CANOPY                   |
| 6. BLACK SUPPLY WIRE      | 14. DECORATIVE NUT           |
| 7. SUPPLY GROUND WIRE     |                              |
| 8. WHITE SUPPLY WIRE      |                              |