

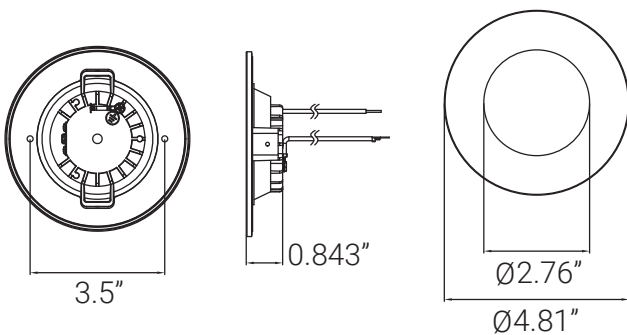
87688-SU

sunlite

SF/DFL/RD/4/10/927/120/WH

4" Round Flat Lens Downlight Junction Box/Retrofit 10W 90Cri
2700K 120V W/ White Trim

Project: _____
Type: _____
Catalog #: _____
Date: _____
Comments: _____



Technical Specifications

Photometrics

Lumen	900
Emitted Color	Soft White
Color Temp	2700K
Color Rendering Index (CRI)	90
Beam Spread	110°
Lifespan	5

Electrical

Watt	10
Input Voltage	120
Power Factor	0.9
Dimmable	TRUEForward Phase (Triac or Incandescent)

Ratings / Certifications

Safety Certification	ETL Listed - Wet Location
Operating Temperature	-22°F - 104°F
Warranty	5 Years

Construction

Fixture Material	Aluminum
Fixture Finish	White
Lens Material	Glass
Lens Finish	White
Shape	Round

