

WALL MOUNT FIXTURE INSTALLATION INSTRUCTIONS

Please read carefully and save these instructions, as you may need them at a later date.

CAUTION

Turn off the main power at the circuit breaker before installing the fixture, in order to prevent possible shock.

GENERAL

All electrical connections must be in accordance with local and National Electrical Code (N.E.C.) standards. If you are unfamiliar with proper electrical wiring connections obtain the services of a qualified electrician.

Remove the fixture and the mounting package from the box and make sure that no parts are missing by referencing the illustrations on the installation instructions.

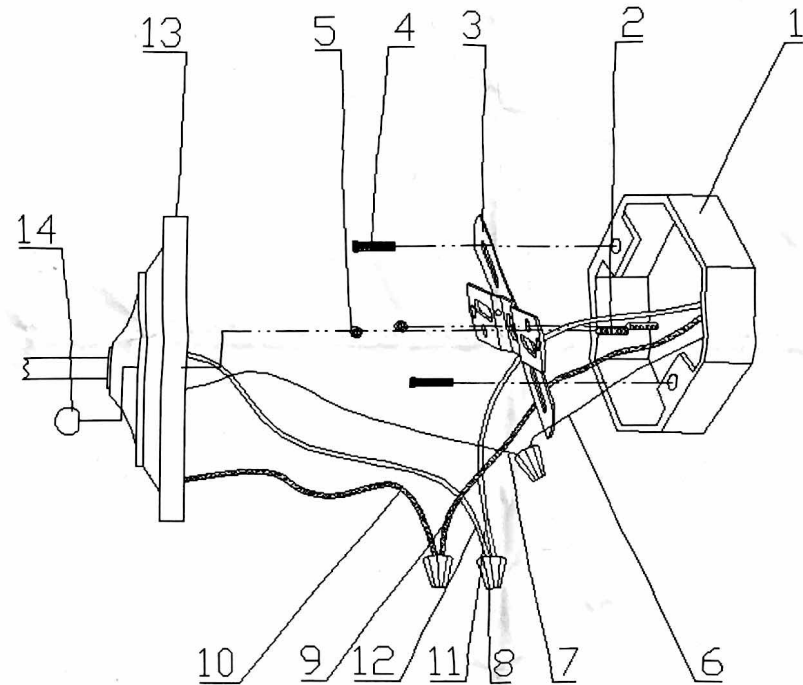
ASSEMBLY AND INSTALLATION

1. Attach the #8-32 FIXTURE MOUNTING SCREWS (2) to the MOUNTING BRACKET (3) and place the #8-32 HEX NUTS (5) onto the #8-32 FIXTURE MOUNTING SCREWS (2). Do not tighten the #8-32 HEX NUTS (5) at this time.
2. Pull the power supply wires out from the OUTLET BOX (1), and mount the MOUNTING BRACKET (3) to the OUTLET BOX (1), using MOUNTING SCREWS (4).
3. Attach the BLACK SUPPLY WIRE (9) to the BLACK FIXTURE WIRE (10) and the WHITE SUPPLY WIRE (11) to the WHITE FIXTURE WIRE (12) using WIRE NUTS (8). Connect the FIXTURE GROUND WIRE (7) to the POWER SUPPLY GROUND WIRE (6) using a WIRE NUT (8).
4. Place the CANOPY (13) over the OUTLET BOX (1) and onto the #8-32 FIXTURE MOUNTING SCREWS (2), and adjust the #8-32 FIXTURE MOUNTING SCREWS (2) until they protrude out from the CANOPY (13) 1/4". Remove the CANOPY (13) and secure the position of the #8-32 FIXTURE MOUNTING SCREWS (2) by tightening the #8-32 HEX NUTS (5) against the MOUNTING BRACKET (3). Place the CANOPY (13) back onto the #8-32 FIXTURE MOUNTING SCREWS (2), and secure it into place using the DECORATIVE NUTS (14) provided.

ASSEMBLY AND INSTALLATION (Continued)

5. Slide the GLASS SHADE over the THREADED SOCKET, and inside the GLASS HOLDER CAP. Screw the GLASS SHADE RING onto the THREADED SOCKET until it is tight. Repeat step for the other GLASS SHADE.
6. Screw light bulbs into the lamp sockets and make sure they do not exceed the maximum wattage specified on the fixture's wattage rating label.

INSTALLATION IS NOW COMPLETED



- | | |
|---------------------------------|------------------------|
| 1. OUTLET BOX | 9. BLACK SUPPLY WIRE |
| 2. #8-32 FIXTURE MOUNTING SCREW | 10. BLACK FIXTURE WIRE |
| 3. MOUNTING BRACKET | 11. WHITE SUPPLY WIRE |
| 4. MOUNTING SCREW | 12. WHITE FIXTURE WIRE |
| 5. #8-32 HEX NUTS | 13. CANOPY |
| 6. POWER SUPPLY GROUND WIRE | 14. DECORATIVE NUT |
| 7. FIXTURE GROUND WIRE | |
| 8. WIRE NUT | |