

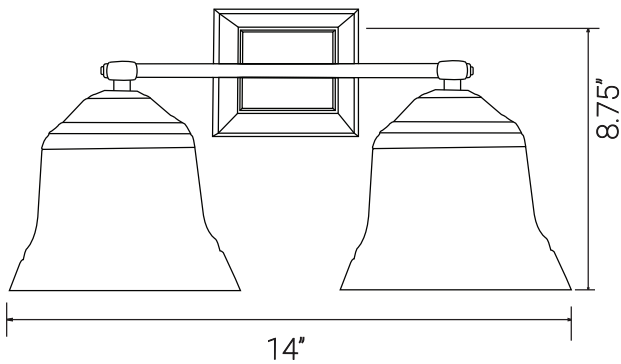
46062-SU

sunlite

FIX/SQ/BATH/2LT/E26/BN/FR

FIX/SQ/BATH/2LT/E26/BN/FR BATH VANITY FIX SUNLITE

Project: _____
Type: _____
Catalog #: _____
Date: _____
Comments: _____



Technical Specifications

Photometrics

Max Wattage	100
Base	E26
Volts	120
Number Of Lights	2
Bulb Included	FALSE
Application	Residential

Ratings / Certifications

Safety Certification	ETL - Damp Location
Use Location	Indoor
Fixture Technology	Incandescent
Warranty	2 Years

Construction

Fixture Material	Metal & Glass
Fixture Finish	Brushed Nickel
Lens Material	Glass
Lens Finish	Frosted
Shape	Square Bell
Mounting	Wall

