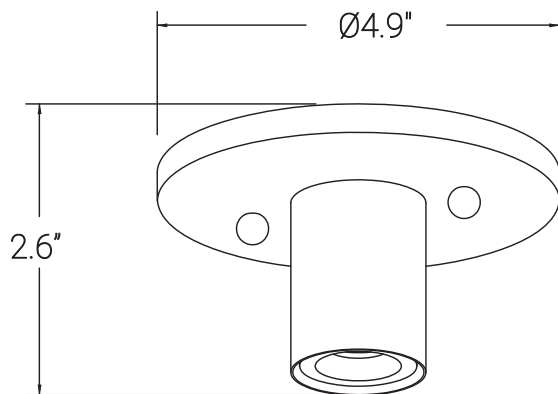


# 46071-SU

**sunlite**

FIX/LH/E26/BK/5"

FIX/LH/E26/BK/5" LAMP HOLDER SUNLITE



Project: \_\_\_\_\_  
Type: \_\_\_\_\_  
Catalog #: \_\_\_\_\_  
Date: \_\_\_\_\_  
Comments: \_\_\_\_\_

## Technical Specifications

### Electrical

Max Wattage	
Base	E26
Volts	120
Number Of Lights	1
Bulb Included	False
Application	Residential

### Ratings / Certifications

Safety Certification	ETL Listed
Use Location	Indoor
Fixture Technology	Non LED
Warranty	3 Years

### Construction

Fixture Material	Steel
Fixture Finish	Black
Lens Material	N/A
Lens Finish	N/A
Shape	N/A
Mounting	Surface