

sunlite®

INSTALLATION INSTRUCTIONS

LED Slim Adjustable Wall Pack Fixture

49169-SU | LFX/SWP/MW/SCT/BRZ

49173-SU | LFX/SWP/HMW/SCT/BRZ



Please read and understand this entire manual before attempting to assemble, operate or install the product.

WARNINGS: Avoid fire or electric shock. Follow installation instructions carefully. If unsure about electrical installation, consult a qualified electrician. Wear rubber-soled shoes and work on a sturdy wooden ladder. Ground fixture to avoid potential electric shock. Handle metal parts carefully to prevent cuts. To avoid a hazard to children, account for all parts and destroy all packing materials. Operating temperatures of -40°C to 45°C (-40°F to 113°F). Suitable for outdoor /wet locations.



CAUTION: Turn off the power at fuse or circuit breaker box before installation and maintenance to avoid electric shock. This product uses an input 120-347V AC driver of wide range voltage. please pay attention when installation. Fixture must be installed according to national electric code and local building codes. If you are unsure about wiring consult a qualified electrician.

This device complies with Part 15 of the FCC Rules. Operation is subject to the following two conditions: (1) this device may not cause harmful interference, and (2) this device must accept any interference received, including interference that may cause undesired operation.

Retain these instructions for future maintenance reference.

V2023a



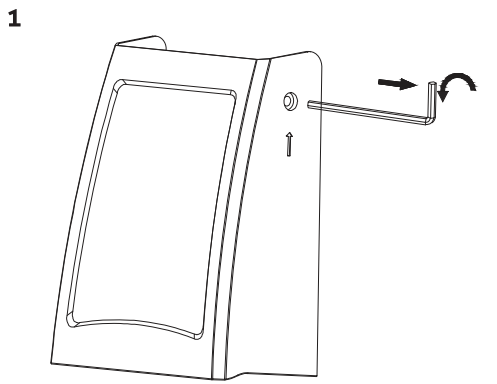
Introduction

An internal power-factor-corrected switch-mode supply allows it to be used from any nominal 120V-347V, 60Hz AC supply without any variation in light output.

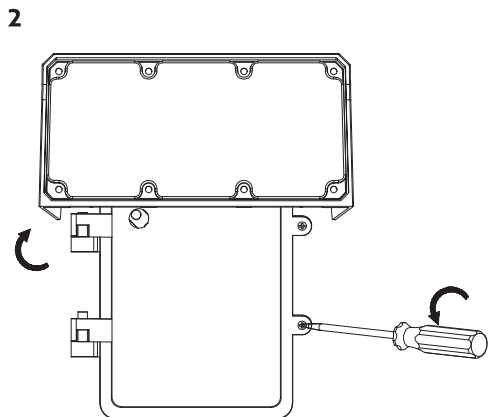
Installation

Surface Mounting

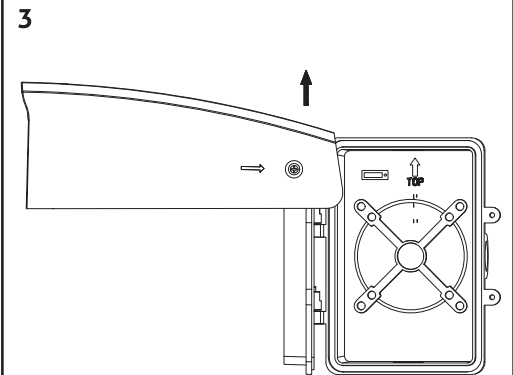
Images are for illustrative purposes only. Actual fixture design is as illustrated above.



1
Loosen the M6 screw on the front Fixture housing.



2
Use screw driver to open the driver box.



3
Remove the fixture front housing from driver box.

(Continued)

4

Wall

Leakage Plugs

Drill holes according to the size of junction box. Use the level bubble to level the conver and fix it to a sturdy wall. Remove the 2 leakage plugs.

5

CCT:
50K (Default) /40K/30K
WATT:
49169-SU
35W(Default)/28W/21W
49173-SU
50W(Default)/40W/30W

Power Select
CCT Select
Ground

Slect desired CCT & Power by DIP Switch

6

Wall

Attached the fixture front housing with driver box. Connect L,N,G wires.

7

Wall

Tighten the 2 sides screws.

8

Wall

0-90°

Adjust the fixture front housing to desired angle and tighten the M6 screw.

9

Wall

Installation is completed.

Wiring Diagram:

