

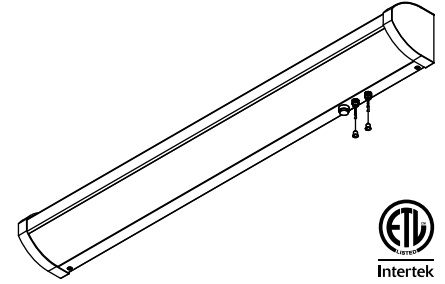
Installation Instructions for Items SF/BL/LN/xx/xx/83S/120/WH

Please read and understand this entire manual before attempting to assemble, operate or install the product. Retain for future reference.

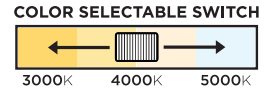
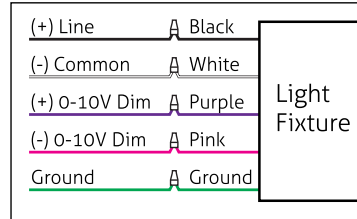
WARNING: Avoid fire or electric shock. Follow installation instructions carefully. If unsure about electrical installation, consult a qualified electrician. Wear rubber-soled shoes and work on a sturdy wooden ladder. Ground fixture to avoid potential electric shock. Handle metal parts carefully to prevent cuts. To avoid a hazard to children, account for all parts and destroy all packing materials. Use only on 120 volt 60Hz circuits. Compatible with most wall based 0-10V dimmers. Ambient operating temperature -20°C – 40°C (-4°F – 104°F). Suitable for damp locations.

Turn off power at fuse or circuit breaker box before installation and maintenance. Fixture must be installed according to National Electric Code and local building codes. If you are unsure about wiring, consult a qualified electrician. **THIS FIXTURE BODY IS ONE PIECE, DO NOT DISASSEMBLE OR MAKE ALTERATIONS.**

LIMITED WARRANTY: This fixture is warranted to be free from defects in workmanship and material for up to 5 years when used in accordance with package and fixture directions. Visit www.sunlite.com/warranty for more information and for warranty claim.



Wiring Diagram



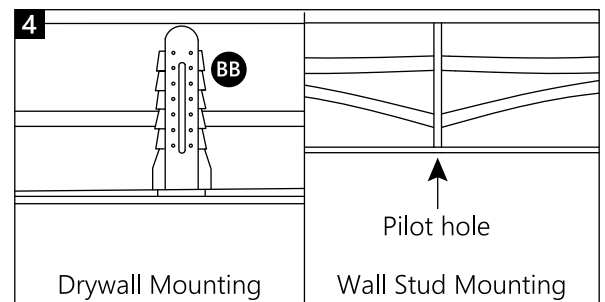
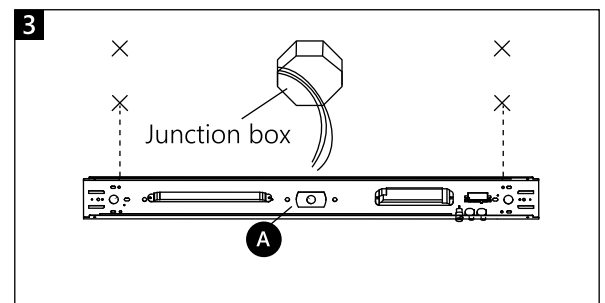
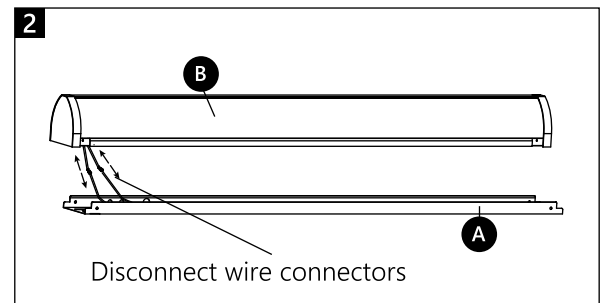
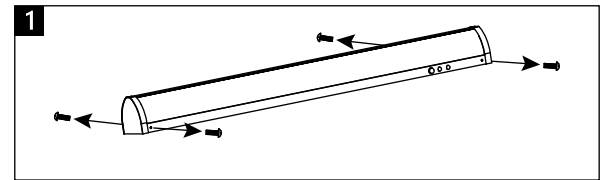
Included Hardware

- AA** Wood Screw x4
- BB** Drywall Anchor x4
- CC** Wire Nuts x3

WARNING! BEFORE PROCEEDING, PLEASE ENSURE POWER HAS BEEN SWITCHED OFF.

- Unscrew and remove all four lens-retaining screws (A) and set them aside (Fig. 1).
- Gently pull the lens to separate the luminaire (B) from the backplate (A). Disconnect wire connectors from both ends of the fixture, and then set the luminaire aside (B) (Fig. 2).
- Align the junction box with the knockout of the backplate (A). Ensure that the backplate (A) covers the outlet box completely. While holding the backplate at the intended installation position, mark the locations of the mounting holes on the mounting surface. Set the backplate aside (Fig. 3).
- DRYWALL MOUNTING:** If there aren't studs at the mounting hole locations, use a 1/8-inch drill bit (not provided) to create pilot holes. Insert drywall anchors (BB) into these holes until flush by gently tapping in with a hammer (not provided) (Fig. 4).

CEILING STUD MOUNTING: If the mounting holes are located where there are studs, use a 5/32-inch drill bit (not provided) to create pilot holes for the wood screws (AA) (Fig. 4).



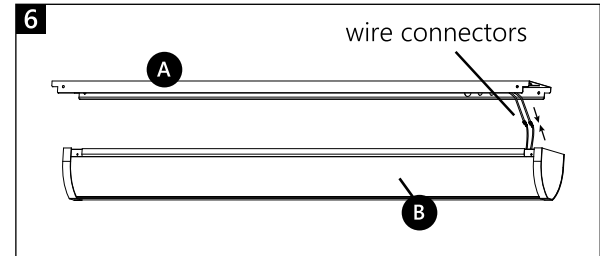
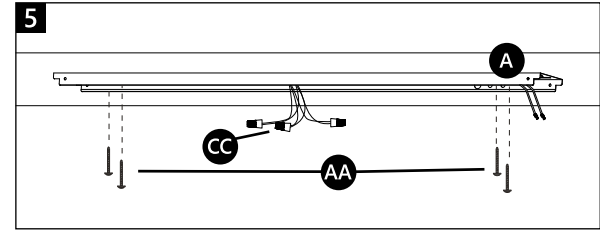
Installation Instructions for Items SF/BL/LN/xx/xx/83S/120/WH (Continued)

5. Ensure the power is off. Thread the supply wires from the junction box through the knockout on the backplate (A). Align the mounting holes off the backplate (A) with the holes drilled on the mounting surface and secure with included screws (AA) (Fig. 5).

Connect the supply wires to the fixture wires as follows: black to black, white to white, and green to copper/bare. Secure each connection with a wire nut (CC).

For 0-10V dimming, connect the pink and purple wires to the 0-10V supply wires. If they will not be used, the wires must be capped with included wire nuts.

6. Select the desired color temperature on the selectable switch located on the backplate. Re-connect the wire connectors between the backplate (A) and the luminaire (B) (Fig 6).
7. Place the luminaire (B) over the backplate (A) and secure with the original 4 screws (Fig 1.)



Operating Instructions

The indicator light pull chain switch will toggle the indicator light on and off. The main light pull chain switch will operate the top and bottom lights in the following sequence:
Off ► Top Light On ► Down Light On ► Both Lights On

