

sunlite®

INSTALLATION INSTRUCTIONS



DIMMABLE 10-100%*

LED Outdoor Cylinder Wall Sconce Fixture

Please read and understand this entire manual before attempting to assemble, operate or install the product.

WARNINGS & CAUTIONS: Risk of fire or electric shock, avoid fire or electric shock. Turn off the power at fuse or circuit breaker box before installation and maintenance to avoid electric shock. Before installation thoroughly review enclosed installation manual. Use for 120 Volt fused circuits, This product must be installed in accordance with the applicable installation code by a person familiar with the construction and operation of the product and the hazards involved. If you do not have sufficient electrical wiring experience, please consult a qualified electrician. Consult a qualified electrician to ensure correct branch circuit conductor. Do not make or alter any open holes in an enclosure of wiring or electrical components during installation. If the product is damaged, do not attempt installation and do not use. Not for emergency lighting. Operating temperature -20°C - 45°C (-4°F - 113°F). Suitable for wet locations.



*The lamp may not be compatible with all dimmers. Go to www.Sunlite.com/Dimmers to find dimmer compatibility information.

AVERTISSEMENT – Risque d'incendie ou de choc électrique. Ce produit doit être installé selon le code d'installation pertinent, par une personne qui connaît bien le produit et son fonctionnement ainsi que les risques inhérents. Consulter un électricien qualifié pour vous assurer que les conducteurs de la dérivation sont adéquats. Convient aux emplacements humides. Peut être utilisé à une température ambiante n'excédant pas 45°C. Les fils d'alimentation 90°C min. Cet appareil n'est pas destiné à être utilisé dans les issues de secours.

Retain these instructions for future reference.

v2022

Installation & Assembly

Remove the fixture and hardware from the box and make sure that no parts are missing by referencing the illustrations on the installation instructions.

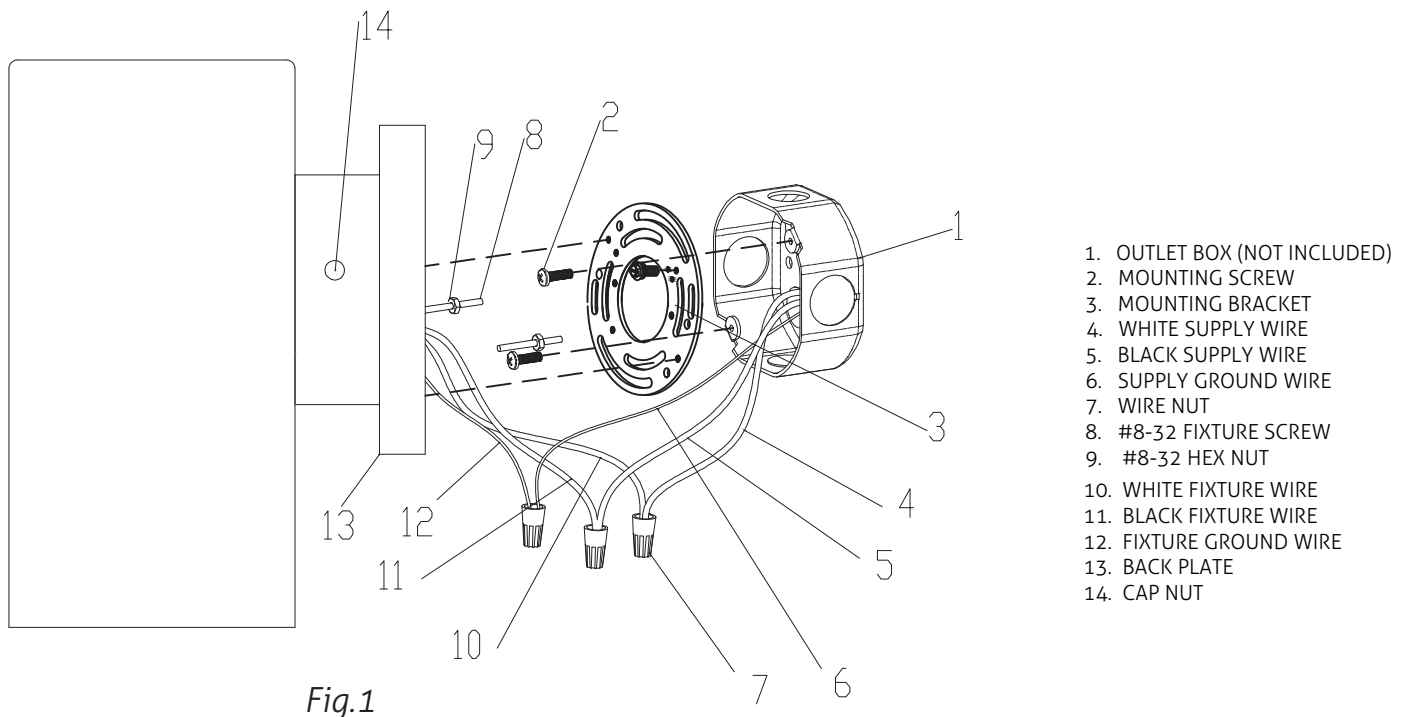


Fig.1

1. Screw the FIXTURE SCREWS (14) into the MOUNTING BRACKET (3), and thread the HEX NUTS (15) into fixture screws. Secure the fixture screws by tightening hex nut against the mounting bracket.
2. Pull the power supply wires out from the OUTLET BOX (1). Attach the MOUNTING BRACKET (3) to the OUTLET BOX (1) using MOUNTING SCREWS (2).
3. Make wire connections, connect the BLACK SUPPLY WIRE (5) to BLACK FIXTURE WIRE (11), WHITE SUPPLY WIRE (4) to WHITE FIXTURE WIRE (10) and the fixture GROUND WIRE (12) to SUPPLY GROUND WIRE (6) using WIRE NUTS (7). Wrap all wire connections with electrical tape for secure connection.
4. After wires are connected, tuck them carefully inside the outlet box. Position back PLATE(13) over the outlet box and feed fixture screws (8) through two holes of the back plate until they protrude out from the back plate approximately 1/4" and secure using two CAP NUTS (14).
5. After installing the fixture, caulk upper 2/3 of wire connection enclosure to mounting surface. Leave bottom 1/3 un-caulked for drain-age of any water that might leak into the enclosure. The manufacturer recommends a non-drying exterior caulking material. A good example is a clear silicone rubber sealant for exterior use.

Care and maintenance – Use dry and clean cloth to wipe the surface of the fixture

Replacement- This LED product has no bulb to replace.