

INSTALLATION & OPERATION INSTRUCTIONS

GENERAL

All electrical connections must be in accordance with local and National Electrical Code (N.E.C.) standards. If you are unfamiliar with proper electrical wiring connections obtain the services of a qualified electrician.

READ AND FOLLOW ALL SFETY INSTRUCITONS

CAUTION - Turn off the main power at the circuit breaker before installing the fixture, in order to prevent possible shock.

1. DO NOT install this fixture outdoors.
2. DO NOT let power cords touch hot surface.
3. DO NOT mount near gas or electric heaters.
4. The use of accessory equipment not recommended by manufacturer may cause unsafe conditions.

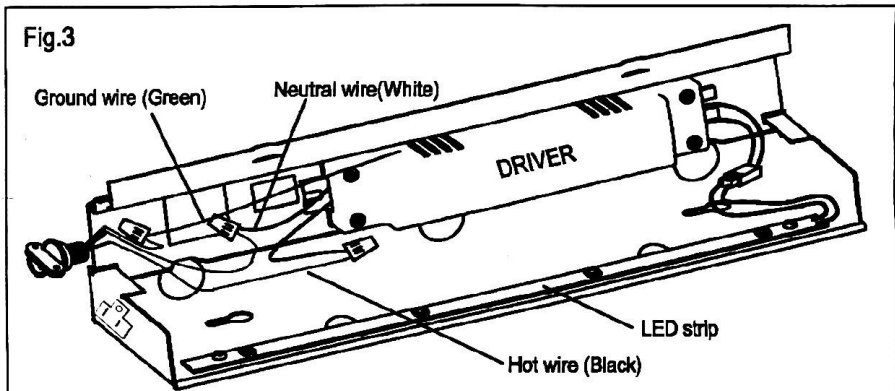
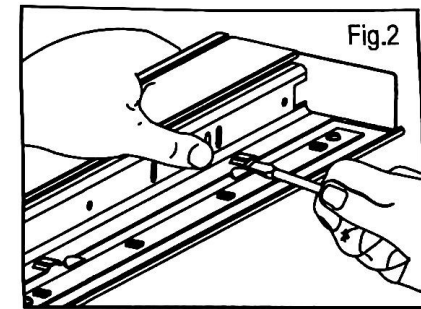
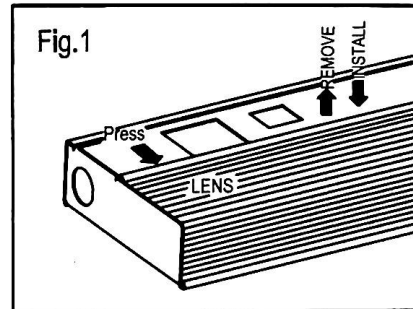
Unpack the box- Remove the fixture and the mounting hardware bad from packing box and check everything you need is included by reference illustration.

ASSEMBLY AND INSTALLATION

1. Remove the lens from housing. (Fig. 1)
2. Remove top cover by hand or use the blade screwdriver. (Fig.2)
3. Remove the knockout carefully, insert the flexible conduit connector inside the fixture and tighten the nut. Tighten two screws on connector after the completing final wiring.
4. Knockout key holes on the back of fixture housing for mounting.
5. Locate and mount the fixture on appropriate surface.
6. Make AC supply wire connection. (Fig. 3)
7. Install the top cover, ensure all wires can connectors are put back inside the fixture cover.
8. Install the lens back after completing installation.
9. Fixtures may be joined together by using a linkable connector (extension cord) to create custom lengths. (Fig. 4)

* A linkable connector(extension cord) sold separately.

LED UNDERCABINET LIGHTING



WARNING: MAKE SURE THAT POWER IS OFF BEFORE ANY ELECTRICAL CONNECTIONS!

.WHITE: NEUTRAL

.BLACK: HOT Wire for 120V AC wiring

.GREEN: Ground wire

Unused wire must be capped using enclosed wire nuts.

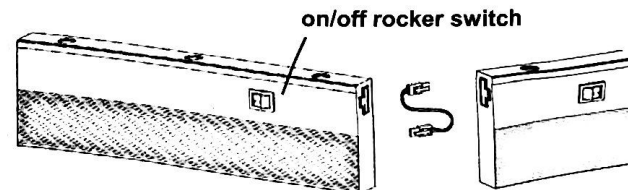


Fig.4