

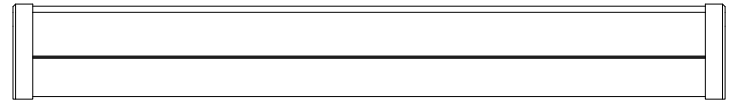
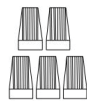
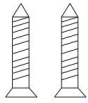
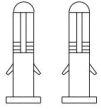


Please read and understand this entire manual before attempting to assemble, operate or install the product.

WARNINGS & CAUTIONS: Risk of fire or electric shock. Turn power off before inspection, installation, or removal. Before installation, thoroughly review enclosed installation manual. This product must be installed in accordance with the applicable installation code by a person familiar with the construction and operation of the product and the hazards involved. If you do not have sufficient electrical wiring experience, please consult a qualified electrician. Min 90°C Supply conductors. Do not make or alter any open holes in an enclosure of wiring or electrical components during installation. To prevent wiring damage or abrasion, do not expose wiring to edges of sheet metal or other sharp objects. Do not install this fixture where there is risk of rain or moisture exposure. Ambient operating temperature -20°C – 50°C (-4°F – 122°F). Suitable for damp locations.

Retain these instructions for future reference.

Included Accessories

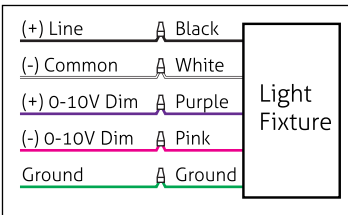


Anchor 2pcs

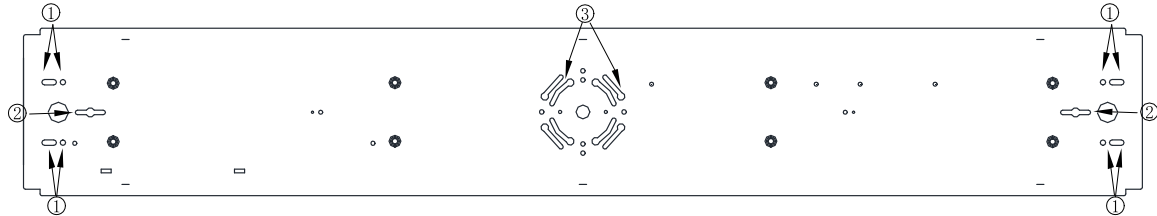
Screw 2pcs

P3 wire nut 5pcs

Wiring Diagram

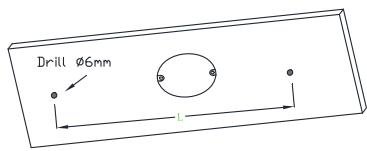


① Suspension installation(V-Hook). ② Surface installation(ceiling). ③ Surface installation(ceiling with J-box).

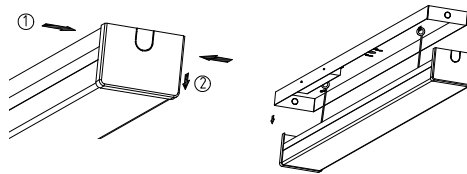


Ceiling Mount

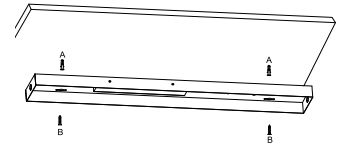
1. Measure distance of Keyholes on the back of the fixture and drill mounting holes on the ceiling using that measurement.



2. Squeeze the body of the fixture to pull the lens section out (as shown below).
Fixture will hang off the the safety ties.

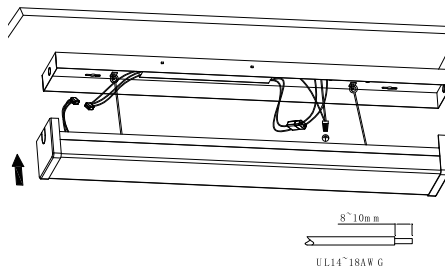


3. Insert anchors (A) into drilled holes from step 1 and install fixture using provided screws (B). Ensure that supply wires are pulled through the body of the fixture.

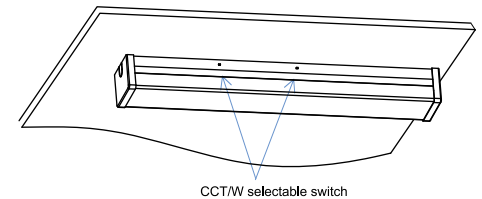


4. Connect supply wires to fixture wires. Black to Black, White to White, and Green to Green.

For 0-10V dimming, connect the violet and pink wires to the 0-10V dimmer wires

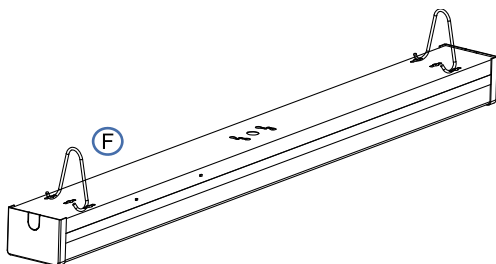


5. Select power and white color desired by toggling the switches on the side of the fixture to your desired settings. This must be done prior to turning on.

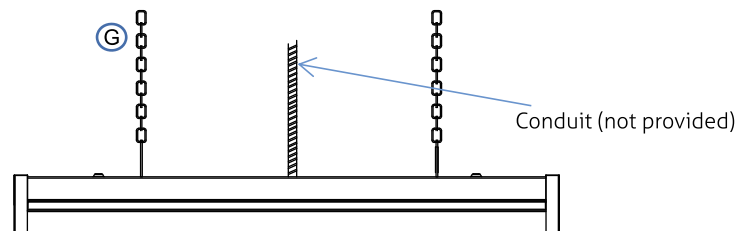


Suspension Mount

1. Attached the V-hooks (F) to the fixture.

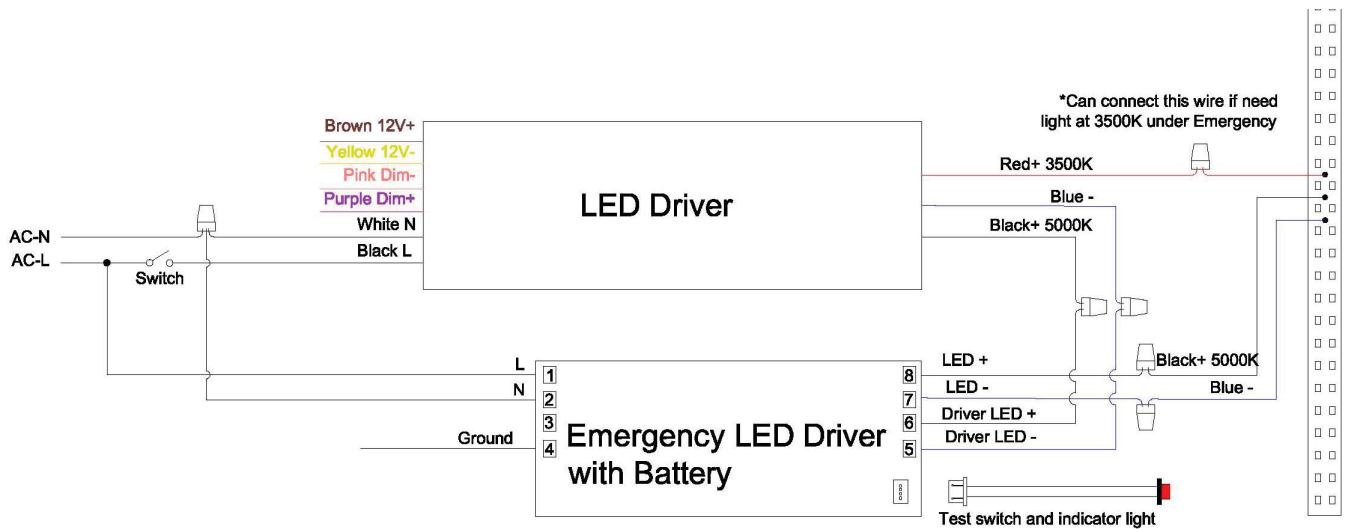
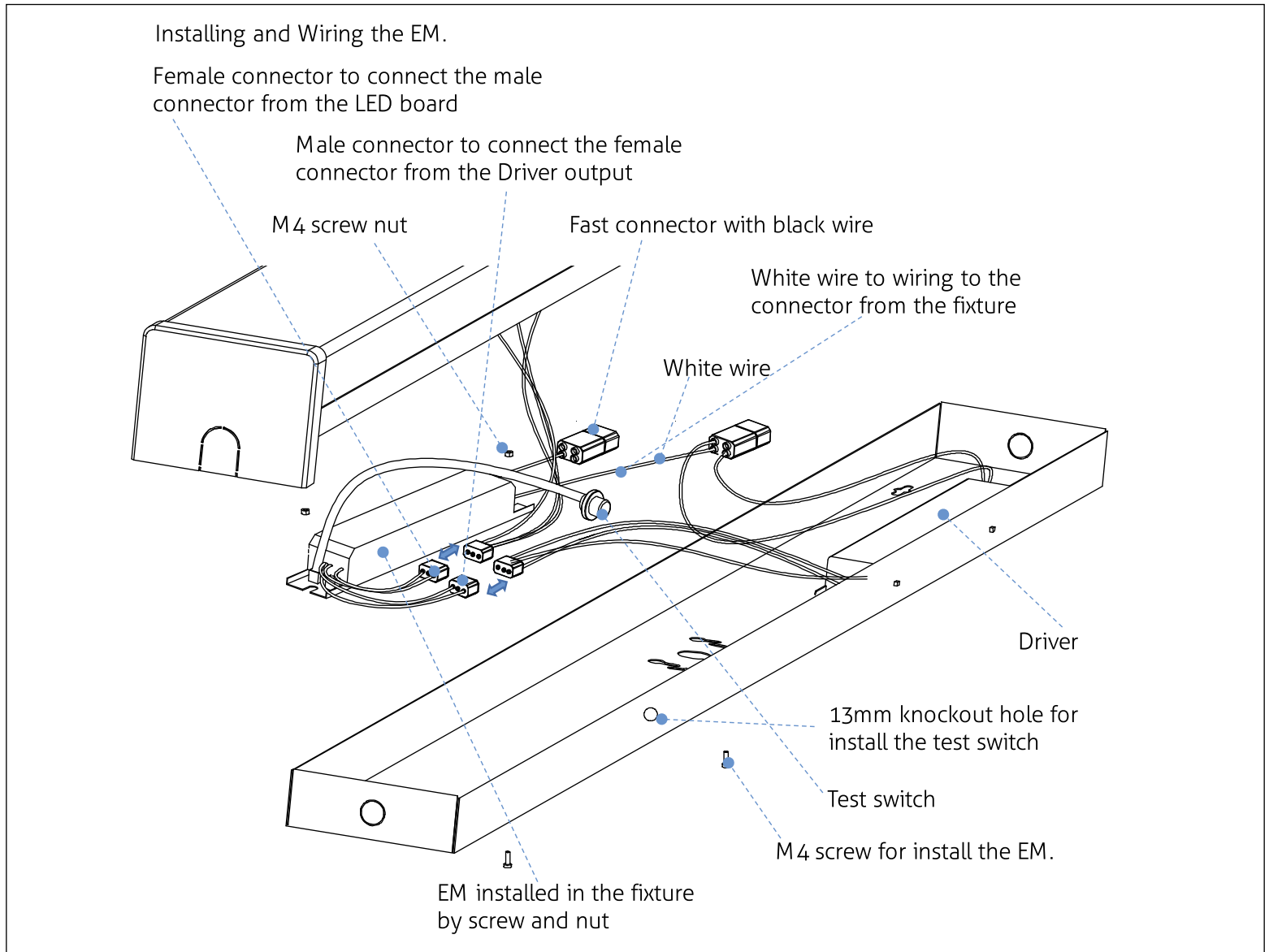


2. Hang the V-hooks (F) on the Chains (G). **3.** Wire as Ceiling mount. Wires must run through a conduit into the fixture.



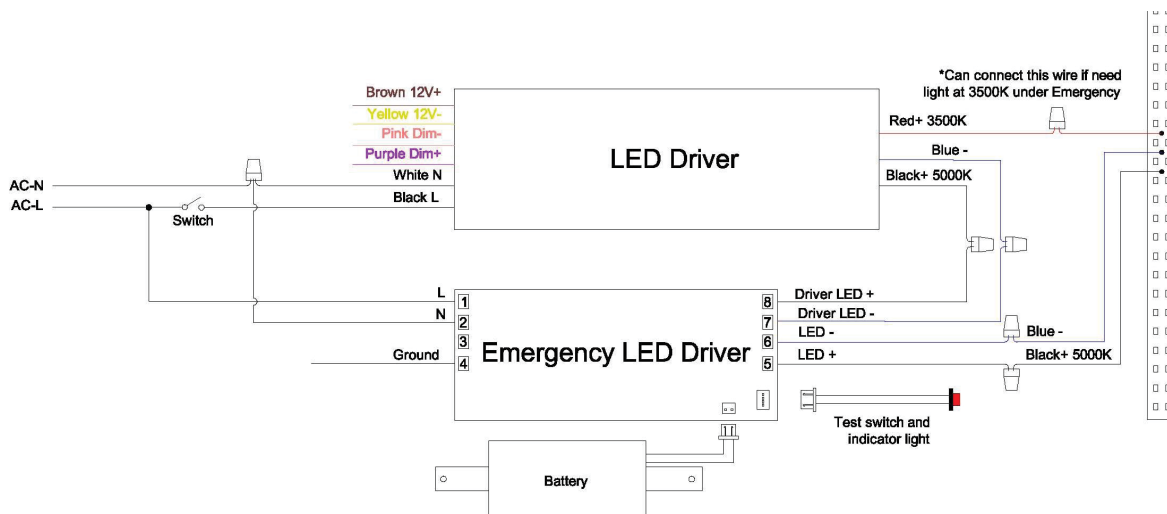
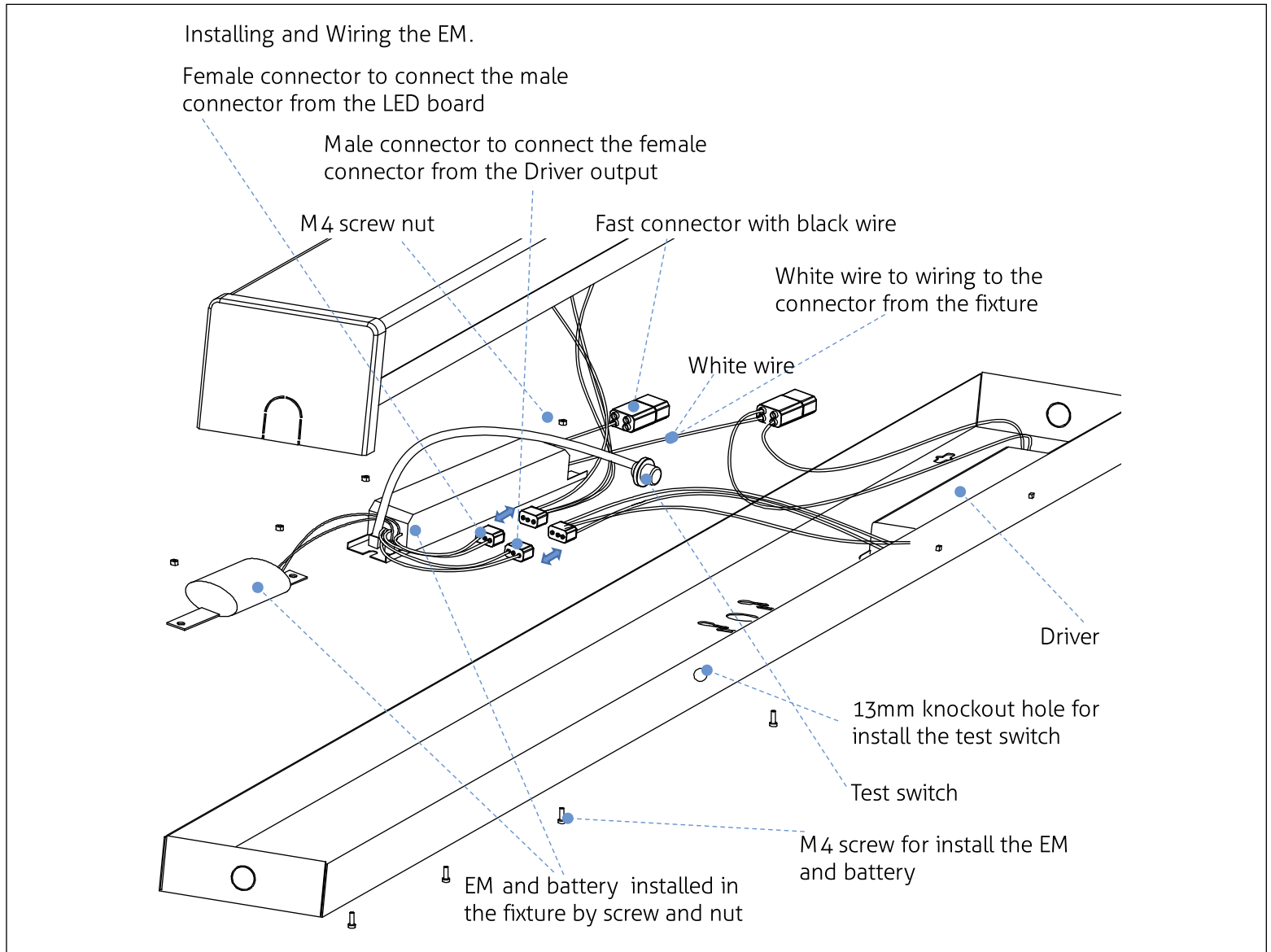
LED WRAPAROUND FIXTURES | 82115-SU, 82119-SU, 82123-SU

With Emergency battery-4W (Sold separately)



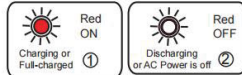
LED WRAPAROUND FIXTURES | 82115-SU, 82119-SU, 82123-SU

With Emergency battery-8W (Sold separately)



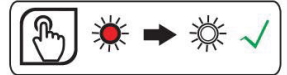
Indicator Light Introduction

- ① Red/ON: Charging or charging full
- ② Red/OFF: Discharging or AC Power is off



Test Switch Introduction

Press the test switch to confirm whether emergency function is normal

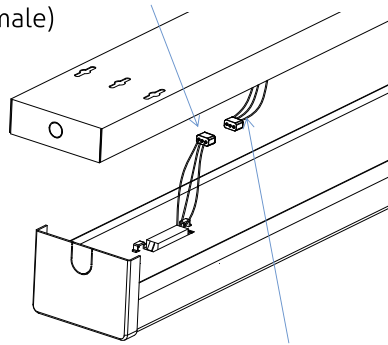


Motion Sensor Installation (Sold separately)

Sensor default settings:

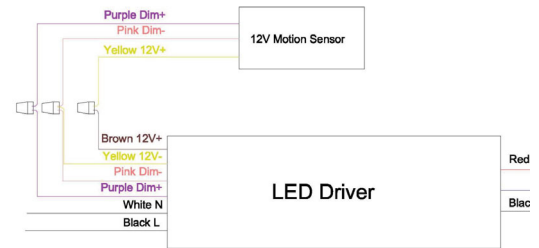
- Brightness:100%
- Sensitivity:75%
- Hold Time:10S
- Daylight Sensor :Disable
- Stand-by dim: 10%
- Stand-by time+∞:
- *You can change the settings from the factory default setting by remote(sold separately Item no. 85639-SU)

Fast connector from Sensor (male)



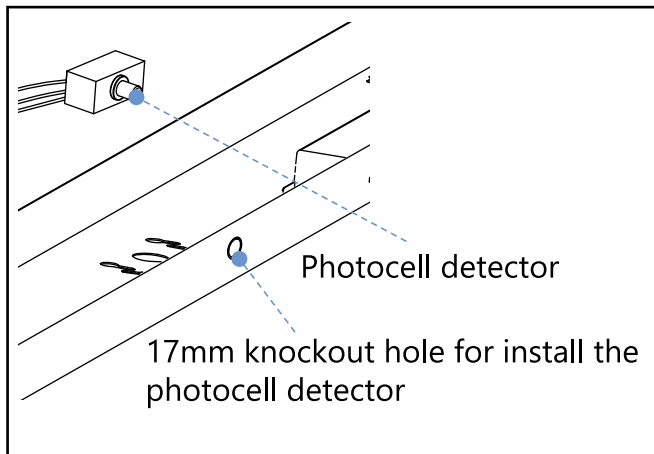
Fast connector from Driver (female)

Wiring diagram

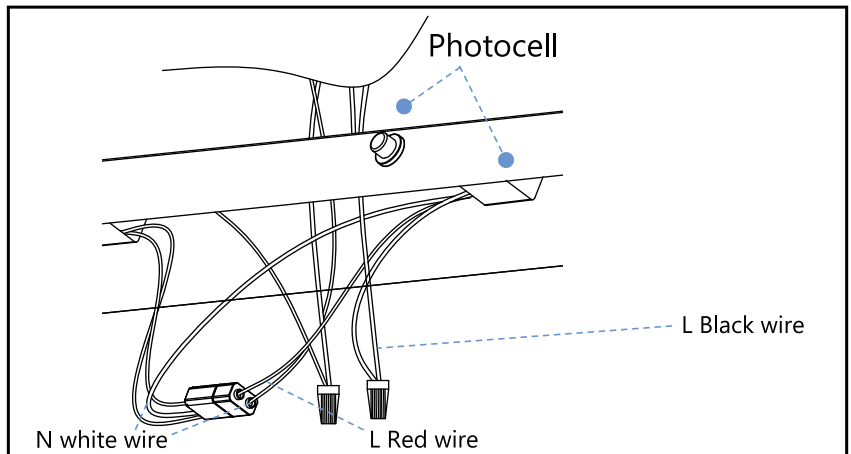


Photocell Installation (Sold separately)

1. Install the photocell by the screw.



2.Wire as the wiring diagram.



Wiring Diagram

