

## INSTALLATION INSTRUCTIONS

### LED SEEDY WALL SCONCE

120VAC/60Hz Input, Dimmable

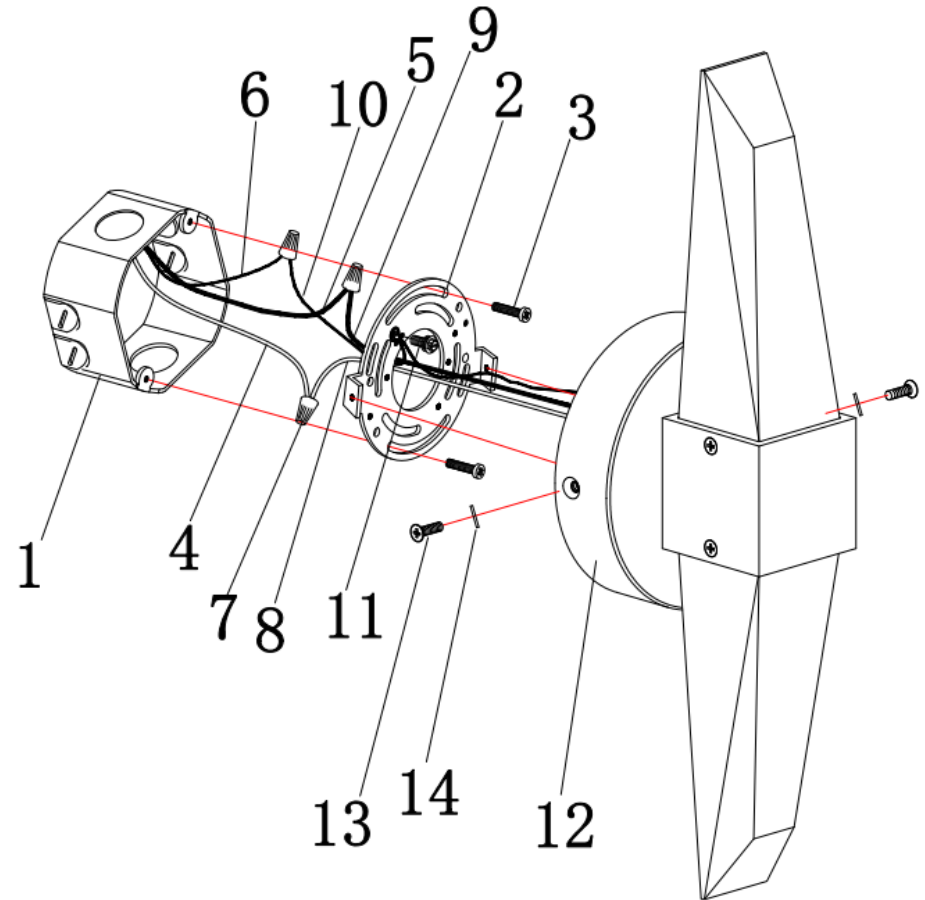
### READ AND FOLLOW SAFETY INFORMATION

**CAUTION** - Turn off the main power at the circuit breaker before installing and servicing the fixture to prevent possible injury from electric shock. All electrical connections must be in accordance with local and National Electrical Code (N.E.C.) standards. If you are unfamiliar with proper electrical wiring connections, obtain the services of a qualified electrician.

### INSTALLATION & ASSEMBLY

1. Pull all power supply wires out from the outlet box (1). Attach the mounting bracket (2) to the outlet box by using two mounting screws (3).
2. Attach the BLACK SUPPLY WIRE (5) to the FIXTURE BLACK WIRE (9) and the WHITE SUPPLY WIRE (4) to the FIXTURE WHITE WIRE (8) using WIRE NUTS (7). Wrap around FIXTURE GREEN WIRE around GREEN GROUND SCREW(11) leaving enough excess wire, then to connect the FIXTURE GROUND WIRE(10) to the POWER SUPPLY GROUND WIRE(6) using a WIRE NUT(8). Partially tighten GREEN GROUND SCREW(11) carefully and do not over tighten. Wrap the WIRE NUTS (8) with electrical tape for a more secure connection.
3. Place the fixture body (12) over the mounting bracket (2). Insert the fixture screws(13) and washer (14) to tighten fixture body to the wall.
4. Installation complete, restore power at the circuit breaker and turn light switch on to activate this fixture.
5. Care and maintenance – Use a clean, soft cloth to wipe the surface of the fixture.

DO NOT use any cleaners with chemicals, solvents or harsh abrasives  
Replacement- This LED product has no bulb to replace.



- |                              |                                |
|------------------------------|--------------------------------|
| 1. OUTLET BOX (NOT INCLUDED) | 8. FIXTURE WHITE WIRE          |
| 2. MOUNTING BACKPLATE        | 9. FIXTURE BLACK WIRE          |
| 3. MOUNTING SCREWS           | 10. FIXTURE GROUND WIRE        |
| 4. WHITE SUPPLY WIRE         | 11. FIXTURE GREEN GROUND SCREW |
| 5. BLACK SUPPLY WIRE         | 12. FIXTURE BODY               |
| 6. POWER SUPPLY GROUND WIRE  | 13. FIXTURE SCREW              |
| 7. WIRE NUTS                 | 14. WASHER                     |