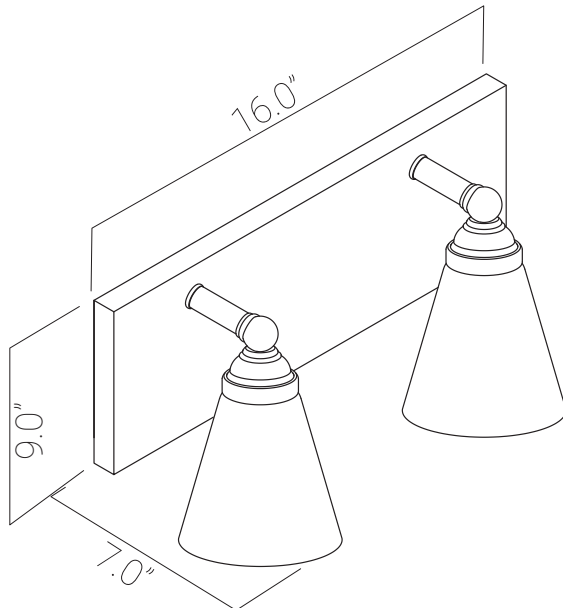


81317-SU

sunlite

FIX/VF/2LT/E26/BN/FR

FIX/VF/2LT/E26/BN/FR CONE GLASS VANITY FIX SUNLITE



Project: _____
Type: _____
Catalog #: _____
Date: _____
Comments: _____

Technical Specifications

Photometrics

Max Wattage	60
Base	E26
Volts	120
Number Of Lights	2
Bulb Included	FALSE
Application	Residential

Ratings / Certifications

Safety Certification	ETL - Damp Location
Use Location	Indoor
Fixture Technology	Incandescent
Warranty	2 Years

Construction

Fixture Material	Metal
Fixture Finish	Brushed Nickel
Lens Material	Glass
Lens Finish	White
Shape	Retaguler
Mounting	Wall