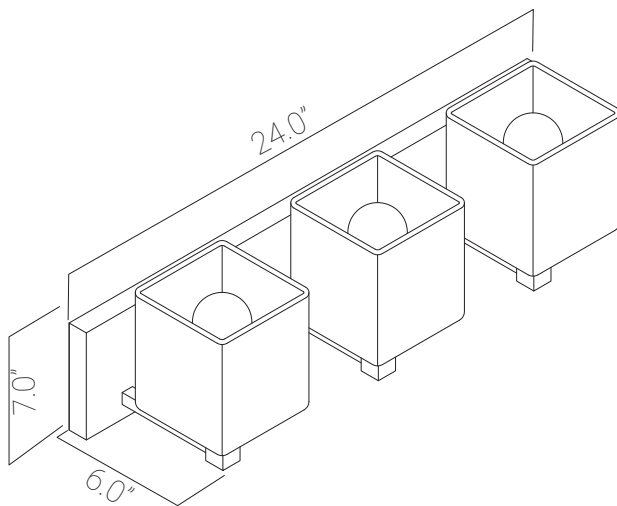


81324-SU



FIX/VF/3LT/E26/BN/FR

FIX/VF/3LT/E26/BN/FR SQUARE GLASS VANITY FIX SUN



Project: _____
Type: _____
Catalog #: _____
Date: _____
Comments: _____

Technical Specifications

Photometrics

Max Wattage	60
Base	E26
Volts	120
Number Of Lights	3
Bulb Included	FALSE
Application	Residential

Ratings / Certifications

Safety Certification	N/A
Use Location	Indoor
Fixture Technology	Incandescent
Warranty	2 Years

Construction

Fixture Material	Metal
Fixture Finish	Brushed Nickel
Lens Material	Glass
Lens Finish	White
Shape	Retaguler
Mounting	Wall