

sunlite®

INSTALLATION INSTRUCTIONS

LED Coach Light Wall Sconce



Please read and understand this entire manual before attempting to assemble, operate or install the product.

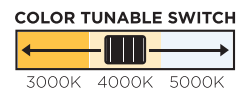
WARNING: Avoid fire or electric shock. Follow installation instructions carefully. If unsure about electrical installation, consult a qualified electrician. Wear rubber-soled shoes and work on a sturdy wooden ladder. To avoid a hazard to children, account for all parts and destroy all packing materials. Wire connection must be insulated and waterproof.

This device complies with part 15 of the FCC rules. Operation is subject to the following two conditions: (1) This device may not cause harmful interference, and (2) this device must accept any interference received, including interference that may cause undesired operation.

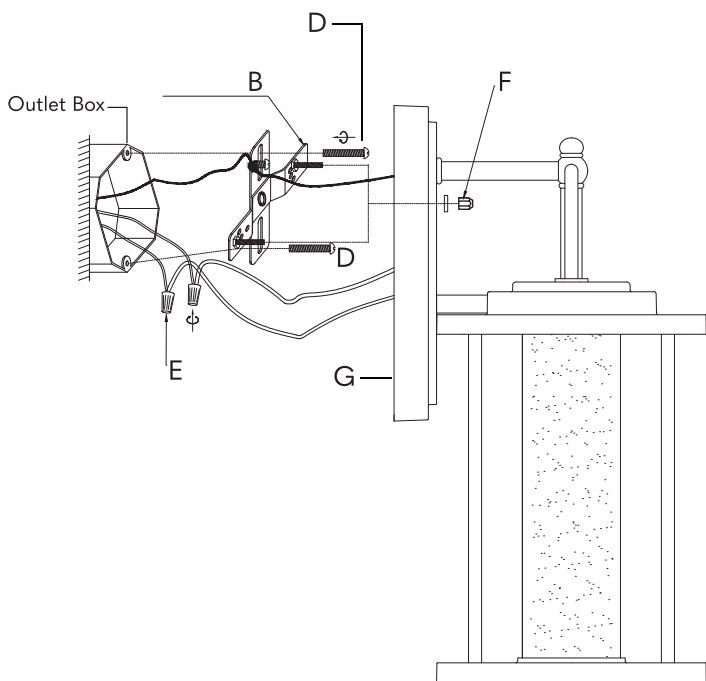
CAUTION: Turn off the power at fuse or circuit breaker box before installation and maintenance. NOTE: This fixture is suitable for 120V fused circuit. Fixture must be installed according to National Electric Code and local building codes. If you are unsure about wiring, consult a qualified electrician. Suitable for wet locations.

MAINTENANCE NOTE: Coastal conditions may cause mineral and residue build-up on the fixture. We recommend that customers in coastal areas clean all external surfaces of the fixture once every two weeks with a wet cloth.

Retain these instructions for future maintenance reference.



Installation



PREPARATION

- Shut off the power at the circuit breaker and remove existing fixture (if applicable), including the mounting plate.
- Carefully unpack your new fixture and lay out all the parts on a clear area. Be careful not to lose any small parts necessary for installation.

MOUNTING THE FIXTURE

1. Remove mounting plate (B) from the canopy (G).
2. Install the mounting plate (B) on the outlet box and the wall using the mounting screws (D),
3. Connect the fixture wires to the main wires with wire nuts (E), black wire with live wire, white wire with neutral wire, ground wire with ground wire.
4. Attach the canopy (G) to the mounting plate (B) by the screw (F).

NOTE

It is recommended to apply silicon caulk around edge of wall canopy to weatherproof.

⚠ WARNING: Before Wiring, Make certain the input voltage is correct!

CCT Settings

Sunlite's CCT tunable LED Coach Light Wall Sconce allows for selecting the between three light temperature settings to match a wide range of applications.

The CCT tunable selector switch on the fixture's back, allows for choosing between 3000K, 4000K and 5000K before installation (*default 3000K*).

