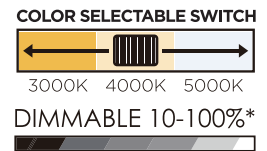


sunlite®

INSTALLATION INSTRUCTIONS

LED Outdoor Modern Wall Sconce | 81341-SU



Please read and understand this entire manual before attempting to assemble, operate or install the product.

WARNINGS & CAUTIONS: Risk of fire or electric shock, avoid fire or electric shock. Turn off the power at fuse or circuit breaker box before installation and maintenance to avoid electric shock. Before installation thoroughly review enclosed installation manual. Use for 120 Volt fused circuits, This product must be installed in accordance with the applicable installation code by a person familiar with the construction and operation of the product and the hazards involved. If you do not have sufficient electrical wiring experience, please consult a qualified electrician. Consult a qualified electrician to ensure correct branch circuit conductor. Do not make or alter any open holes in an enclosure of wiring or electrical components during installation. If the product is damaged, do not attempt installation and do not use. Not for emergency lighting. Operating temperature -20°C - 45°C(-4°F - 113°F). Wall Mount Only, Suitable for damp locations.



AVERTISSEMENT – Risque d’incendie ou de choc électrique. Ce produit doit être installé selon le code d’installation pertinent, par une personne qui connaît bien le produit et son fonctionnement ainsi que les risques inhérents. Consulter un électricien qualifié pour vous assurer que les conducteurs de la dérivation sont adéquats. Peut être utilisé à une température ambiante n’excédant pas 45°C. Cet appareil n’est pas destiné à être utilisé dans les issues de secours.

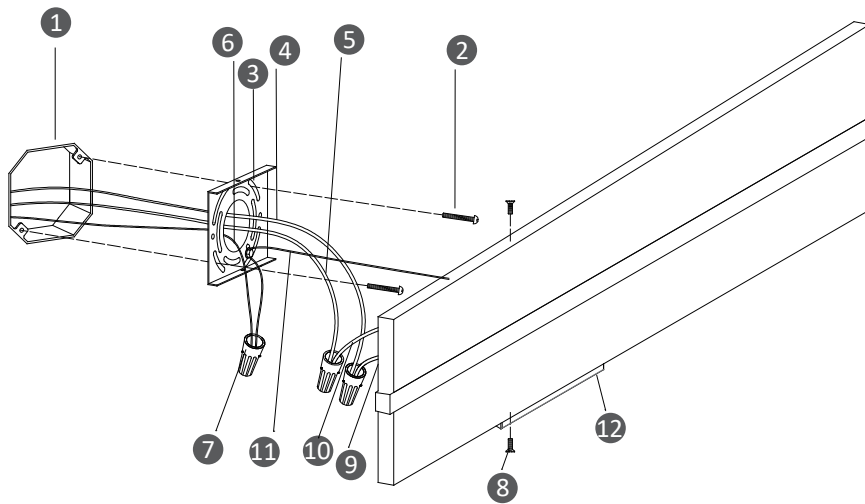
Montage mural uniquement, convient aux endroits humides.

Retain these instructions for future reference.

v2022

Installation & Assembly

Remove the fixture and the mounting package from the box and make sure that no parts are missing by referencing the illustrations on the installation instructions.



- | | |
|------------------------------|-------------------------|
| 1. OUTLET BOX (Not Included) | 7. WIRE NUT |
| 2. MOUNTING BRACKET | 8. WHITE FIXTURE WIRE |
| 3. MOUNTING SCREW | 9. BLACK FIXTURE WIRE |
| 4. WHITE SUPPLY WIRE | 10. FIXTURE GROUND WIRE |
| 5. BLACK SUPPLY WIRE | 11. BACK PLATE |
| 6. SUPPLY GROUND WIRE | 12. SCREW |

Fig.1

MAKE SURE THE POWER IS TURNED OFF AT THE SOURCE TO THE JUNCTION BOX.

1. Pull the power supply wires out from the outlet box (1). Attach the mounting Mounting Bracket (2) to the outlet box using two mounting screws (3).
2. Make wire connections, connect the black supply wire (5) to black fixture wire (9), white supply wire (4) to white fixture wire (8) and the fixture ground wire (10) to supply ground wire (6) using wire nuts (7). Wrap all wire connections with electrical tape for secure connection.
3. This fixture allows the correlated color temperature (CCT) of the LEDs to be adjusted from 3000K to 5000K AS DESIRED. Select desired CCT before next step.
4. Place the Back Plate (11) of the lamp over the Mounting Bracket (2). Insert the fixture screws (12) and tighten to secure the lamp to the wall.
5. Installation complete, restore power at the circuit breaker and turn light switch on to activate this fixture.
6. This is intergrated led fixture, no bulbs to replace.

Care and maintenance – Use dry and clean cloth to wipe the surface of the fixture