

INSTALLATION INSTRUCTIONS

LED VANITY FIXTURE

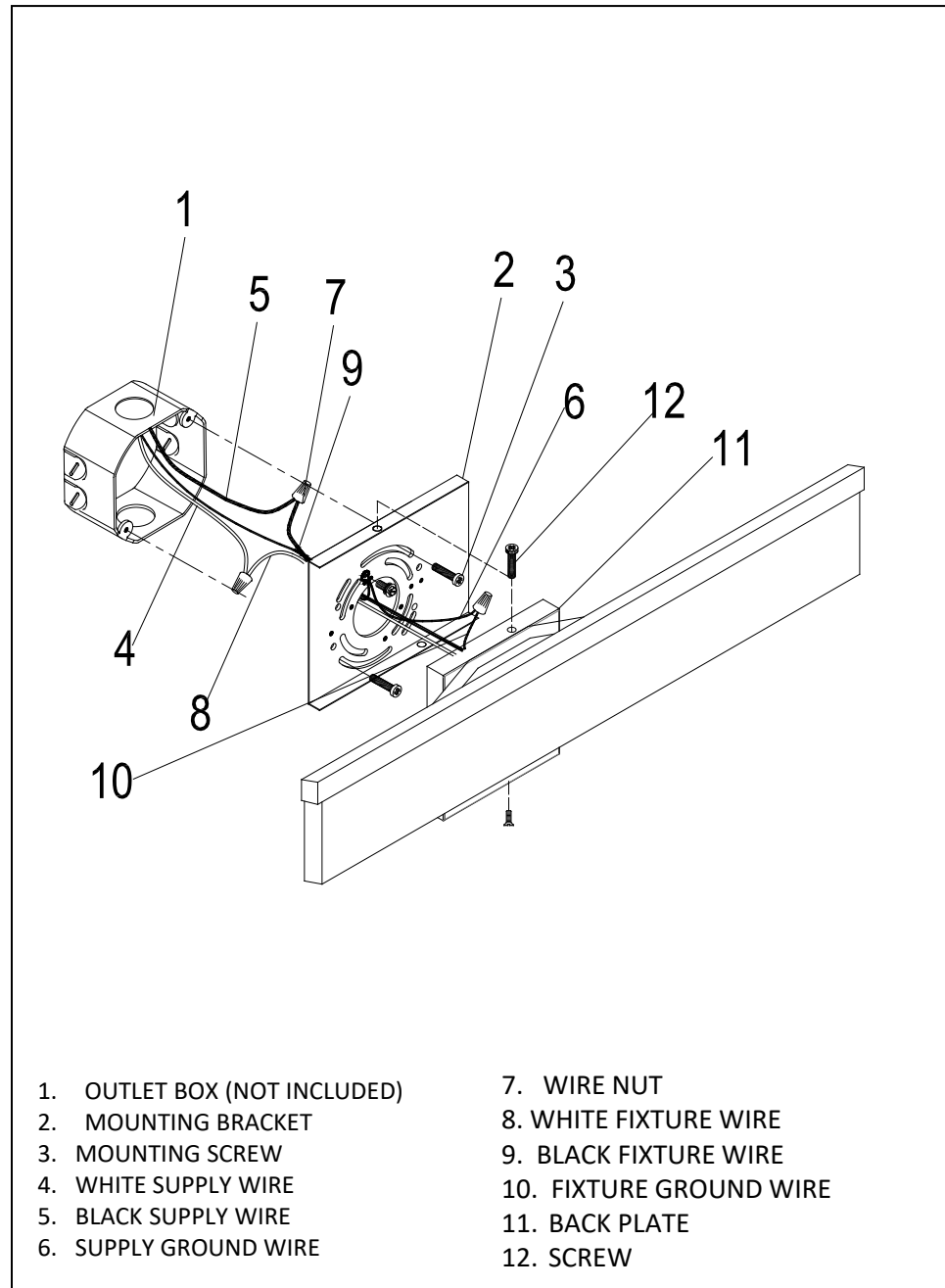
120VAC/60Hz Input, Dimmable

READ AND FOLLOW SAFETY INFORMATION

CAUTION - Turn off the main power at the circuit breaker before installing and servicing the fixture to prevent possible injury from electric shock. All electrical connections must be in accordance with local and National Electrical Code (N.E.C.) standards. If you are unfamiliar with proper electrical wiring connections, obtain the services of a qualified electrician.

INSTALLATION & ASSEMBLY

1. Pull the power supply wires out from the outlet box (1). Attach the mounting backplate(2) to the outlet box using two mounting screws (3).
2. Make wire connections, connect the black supply wire (5) to black fixture wire (9), white supply wire (4) to white fixture wire(8) and the fixture ground wire(10) to supply ground wire(6) using wire nuts (7). Wrap all wire connections with electrical tape for secure connection.
3. Place the Back Plate (11) of the lamp over the mounting bracket(2). Insert the fixture pan screws (12) and tighten to secure the lamp to the ceiling.
4. Install light bulbs (NOT included), DO NOT exceed wattage maximum as indicated on the rating label.



- | | |
|------------------------------|-------------------------|
| 1. OUTLET BOX (NOT INCLUDED) | 7. WIRE NUT |
| 2. MOUNTING BRACKET | 8. WHITE FIXTURE WIRE |
| 3. MOUNTING SCREW | 9. BLACK FIXTURE WIRE |
| 4. WHITE SUPPLY WIRE | 10. FIXTURE GROUND WIRE |
| 5. BLACK SUPPLY WIRE | 11. BACK PLATE |
| 6. SUPPLY GROUND WIRE | 12. SCREW |