

sunlite®

INSTALLATION INSTRUCTIONS

LED Linear Bar Fixture | 81376-SU, 81494-SU, 81495-SU, 81496-SU

DIMMABLE 10-100%*



Please read and understand this entire manual before attempting to assemble, operate or install the product.

WARNINGS & CAUTIONS: Risk of fire or electric shock, avoid fire or electric shock. Turn off the power at fuse or circuit breaker box before installation and maintenance to avoid electric shock. Before installation thoroughly review enclosed installation manual. Use on 120 -277 Volt fused circuits, This product must be installed in accordance with the applicable installation code by a person familiar with the construction and operation of the product and the hazards involved. If you do not have sufficient electrical wiring experience, please consult a qualified electrician. Consult a qualified electrician to ensure correct branch circuit conductor. Do not make or alter any open holes in an enclosure of wiring or electrical components during installation. If the product is damaged, do not attempt installation and do not use. Not for emergency lighting. Operating temperature -20°C - 40°C(-4°F - 104°F). Suitable for damp locations.

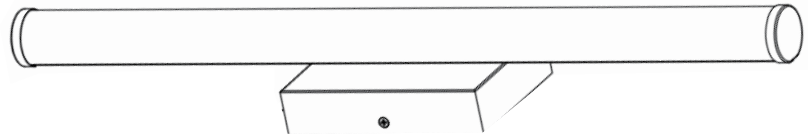


*The lamp may not be compatible with all dimmers. Go to www.Sunlite.com/Dimmers to find dimmer compatibility information.

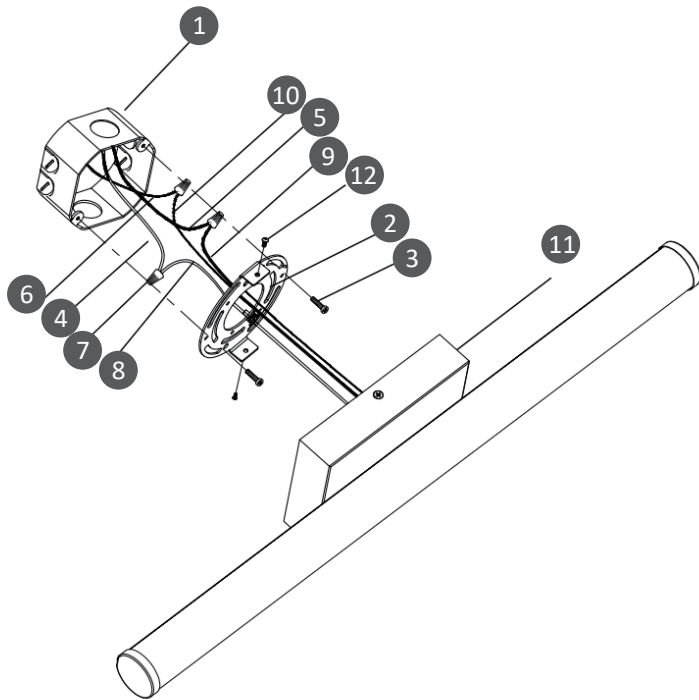
AVERTISSEMENT – Risque d'incendie ou de choc électrique. Ce produit doit être installé selon le code d'installation pertinent, par une personne qui connaît bien le produit et son fonctionnement ainsi que les risques inhérents. Consulter un électricien qualifié pour vous assurer que les conducteurs de la dérivation sont adéquats. Convient aux emplacements humides. Peut être utilisé à une température ambiante n'excédant pas 45°C. Les fils d'alimentation 90°C min. Cet appareil n'est pas destiné à être utilisé dans les issues de secours.

Retain these instructions for future reference.

v2022



Installation & Assembly



1. OUTLET BOX (Excluded)
2. MOUNTING BRACKET
3. MOUNTING SCREW
4. WHITE SUPPLY WIRE
5. BLACK SUPPLY WIRE
6. HOUSE GROUND WIRE
7. WIRE NUTS
8. WHITE FIXTURE WIRE
9. BLACK FIXTURE WIRE
10. FIXTURE GROUND WIRE
11. BACK PLATE
12. SCREW

1. Pull the power supply wires out from the OUTLET BOX (1). Attach the mounting BACK PLATE (2) to the outlet box using two MOUNTING SCREWS (3).
2. Make wire connections, connect the BLACK SUPPLY WIRE (5) to BLACK FIXTURE WIRE (9), WHITE SUPPLY WIRE (4) to WHITE FIXTURE WIRE (8) and the FIXTURE GROUND WIRE (10) to SUPPLY GROUND WIRE (6) using WIRE NUTS (7). Wrap all wire connections with electrical tape for secure connection.
3. Place the BACK PLATE (11) of the lamp over the MOUNTING BRACKET (2). Insert the fixture pan SCREWS (12) and tighten to secure the lamp to the ceiling.
4. Installation complete, restore power at the circuit breaker and turn light switch on to activate this fixture.
5. **Care and maintenance** –
Use a clean, soft cloth to wipe the surface of the fixture.
DO NOT use any cleaners with chemicals, solvents or harsh abrasives
Replacement- This LED product has no bulb to replace.