

sunlite® INSTALLATION INSTRUCTIONS

82062-SU	LFX/WS/2L/20W/D/E/30K	LED 2 LIGHT WALL SCNCE
82063-SU	LFX/WS/3L/30W/D/E/30K	LED 3 LIGHT WALL SCNCE
82064-SU	LFX/WS/4L/40W/D/E/30K	LED 4 LIGHT WALL SCNCE



Installation

DIMMABLE



Please read and understand this entire manual before attempting to assemble, operate or install the product.

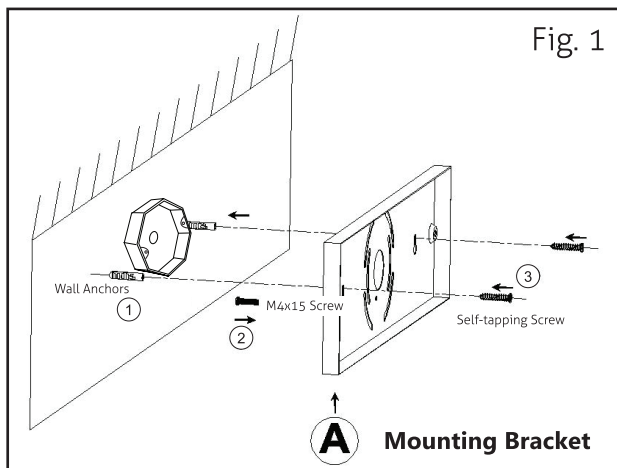
WARNING: Avoid fire or electric shock. Follow installation instructions carefully. If unsure about electrical installation, consult a qualified electrician. Wear rubber-soled shoes and work on a sturdy wooden ladder. Ground fixture to avoid potential electric shock. Handle metal parts carefully to prevent cuts. To avoid a hazard to children, account for all parts and destroy all packing material. This product is only suitable for indoor wall-mounted applications. Suitable for damp locations.



CAUTION: Turn off the power at fuse or circuit breaker box before installation and maintenance. NOTE: This fixture is suitable for 120-Volt fused circuits. Fixture must be installed according to National Electric Code and local building codes. If you are unsure about wiring, consult a qualified electrician. THIS FIXTURE BODY IS ONE PIECE, DO NOT DISASSEMBLE OR MAKE ALTERATIONS.

This device complies with part 15 of the FCC Rules. Operation is subject to the following two conditions: (1) this device may not cause harmful interference, and (2) this device must accept any interference received, including that may cause undesired operation.

This fixture may not be compatible with all dimmers. Please visit www.Sunlite.com/Dimmers for dimmer compatibility information.



BEFORE PROCEEDING, PLEASE ENSURE POWER HAS BEEN SWITCHED OFF!

STEP 1. Drill two holes in the wall corresponding to the holes in the mounting bracket and insert wall anchors. *Fig. 1 (1)*

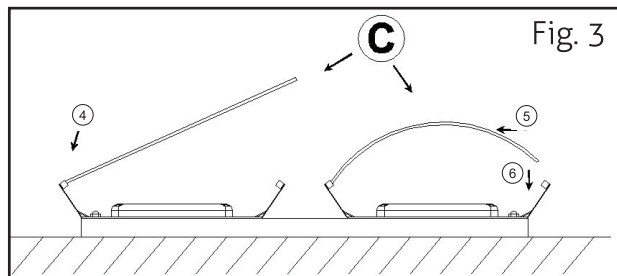
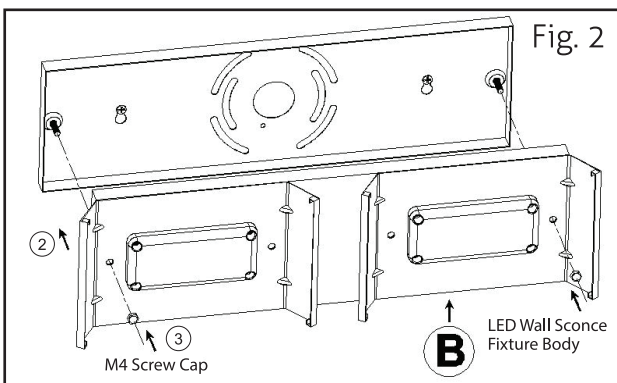
STEP 2. Insert both M4x15 screws into the corresponding holes on the back of the mounting bracket. *Fig. 1 (2)*

STEP 3. Insert both self-tapping screws into the corresponding holes on the front of the mounting bracket and screw into the anchors. *Fig. 1 (3)*

STEP 4. Connect fixture wires to those in the junction box using wire nuts (L to L, N to N, G to G)

STEP 5. Attach wall sconce (B) to mounting bracket (A) and secure with screw cap. *Fig. 2*

STEP 6. Insert one side of the acrylic lens (C) into one of the side slots of the fixture (4) and bend gently (5) until the other side can be secured (6). *Fig. 3*



Sunshine Lighting Company
744 Clinton Street Brooklyn, NY 11231, USA
T. 718.768.7000
F. 718.768.0970
www.sunlite.com