

sunlite®

INSTALLATION INSTRUCTIONS

RECESED FRAME KIT FOR FLAT PANEL | LFX/FLAT/1X4
LFX/FLAT/2X2
LFX/FLAT/2X4

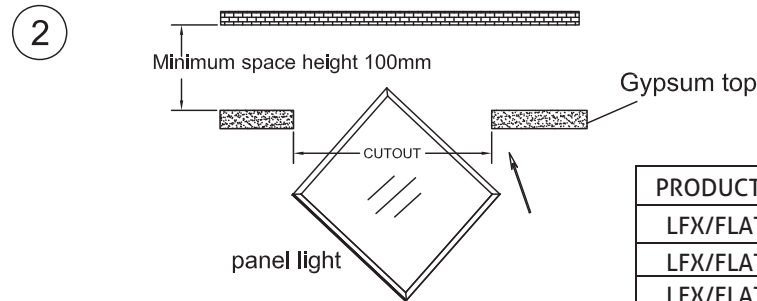
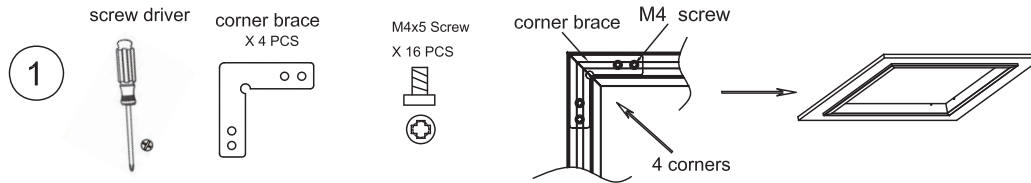
Please read and understand this entire manual before attempting to assemble, operate or install the product.

WARNING: Avoid fire or electric shock. Follow installation instructions carefully. If unsure about electrical installation, consult a qualified electrician. Wear rubber-soled shoes and work on a sturdy wooden ladder. Ground fixture to avoid potential electric shock. Handle metal parts carefully to prevent cuts. To avoid a hazard to children, account for all parts and destroy all packing materials.

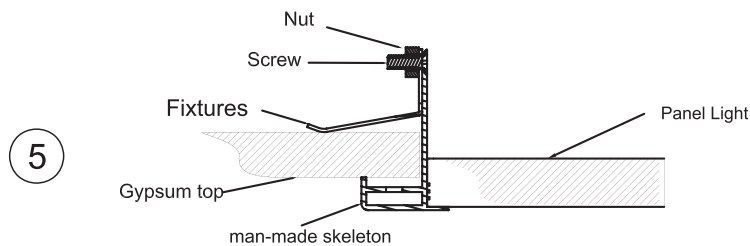
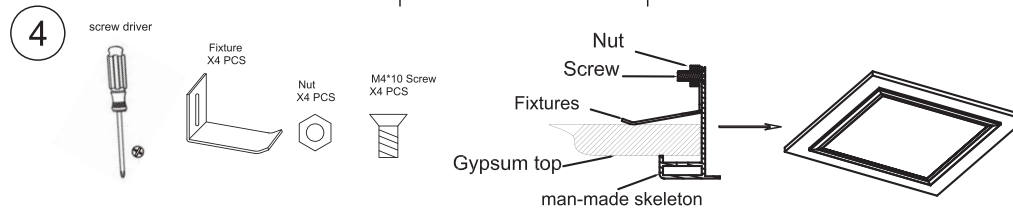
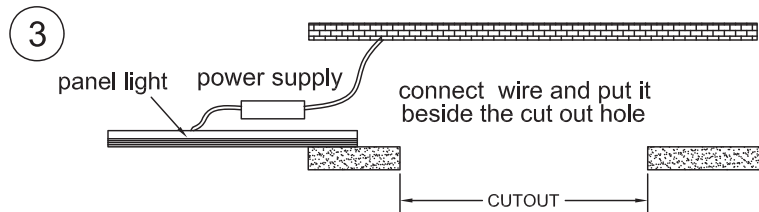


This device complies with part 15 of the FCC rules. Operation is subject to the following two conditions: (1) This device may not cause harmful interference, and (2) this device must accept any interference received, including interference that may cause undesired operation.

CAUTION: Turn off the power at fuse or circuit breaker box before installation and maintenance. NOTE: This fixture is suitable for 120-277 Volts fused circuit. Fixture must be installed according to National Electric Code and local building codes. If you are unsure about wiring, consult a qualified electrician. DO NOT USE ON A DIMMING CIRCUIT. Suitable for Damp Locations.



PRODUCT TYPE	Man-Made Skeleton Cutout Size(mm)
LFX/FLAT/1X4	311x1222
LFX/FLAT/2X2	613x613
LFX/FLAT/2X4	613x1222



Sectional drawing of plaster board ceiling installation
Installation finished

Sunshine Lighting Company

744 Clinton Street Brooklyn, NY 11231, USA

T. 718.768.7000

F. 718.768.0970

www.sunlite.com