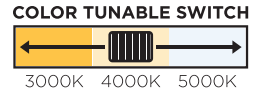


# sunlite®

## INSTALLATION INSTRUCTIONS

LED MODERN OUTDOOR WALL SCONCE | 85104-SU, 85105-SU



**Please read and understand this entire manual before attempting to assemble, operate or install the product.**

**WARNING:** Avoid fire or electric shock. This product must be installed in accordance with the applicable installation code by a person familiar with the construction and operation of the product and the hazards involved. Before installing the fixture, ensure that all parts are present and same as the part list. If any part is missing or damaged, do not attempt to assemble, install, or operate this fixture. Suitable for operation in ambient temperatures of -20°C-40°C (-4°F-104°F). Mini 90°C Supply Conductors. Suitable for damp locations.



**CAUTION:** Turn off the power at fuse or circuit breaker box before installation and maintenance to avoid electric shock. This fixture requires a 120-Volt AC power source. Do not connect this fixture to a dimmer or timer. Fixture must be installed according to national electric code and local building codes. If you are unsure about wiring consult a qualified electrician.

Mounting Location: Wall mounted.

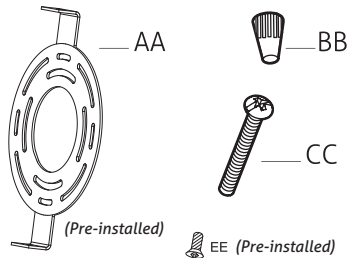
**This device complies with part 15 of the FCC Rules. Operation is subject to the following two conditions: (1) this device may not cause harmful interference, and (2) this device must accept any interference received, including that may cause undesired operation.**

Retain these instructions for future maintenance reference.

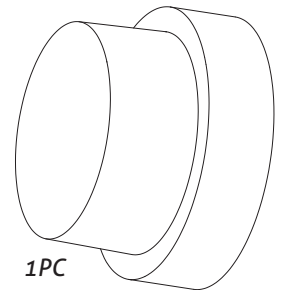
### TOOLS REQUIRED:

- Wire cutters
- Electrical Tape
- Wire Strippers
- Phillips Screwdriver

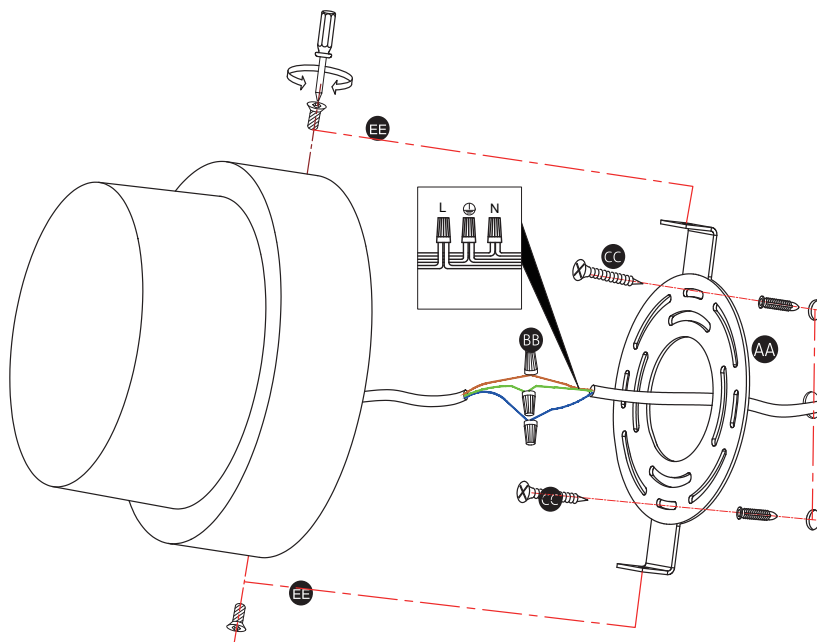
### HARDWARE INCLUDED:



Part	Description	Quantity
AA	Mounting Bracket	1
BB	Wire Nut	3
CC	1-1/2 in. Machine Screw	2
EE	Mounting Screw	2



## Installation



- STEP 1.** Make sure the power is turned off at the source to the junction box.
- STEP 2.** Carefully unpack your new fixture and lay out all the parts on a clear area. Be care ful not to lose any small parts necessary for installation.
- STEP 3.** Remove the fixture body from the mounting bracket. Attach mounting bracket (AA) onto junction box, using the mounting screws supplied (CC) with the junction box (not included).
- STEP 4.** Use wire connectors (BB) to connect the wire from the fixture body. White to White (neutral wire), Black to Black(live wire), Green to Green (ground wire), wrap the three wire connections with electrical tape for a more secure connection. position the wires inside the outlet box.
- STEP 5.** Switch to your desired CCT
- STEP 6.** Fasten mounting screws (EE) through the fixture into Mounting Bracket.Restore power at the source and test the fixture.