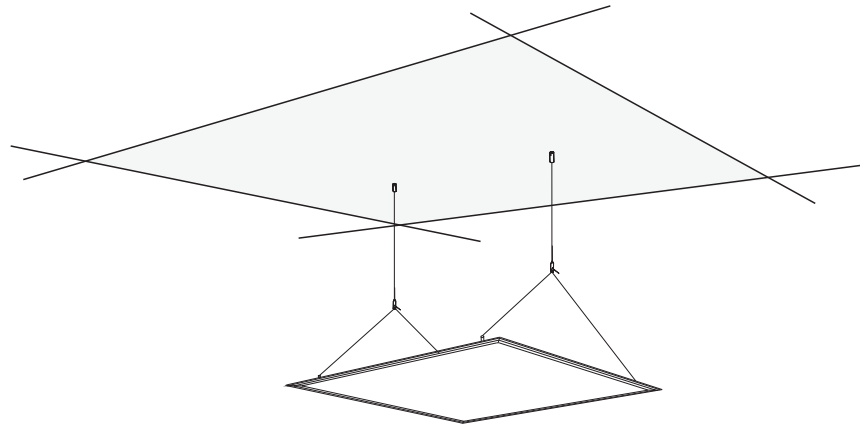


# SUSPENSION

(For PL Frame Series)



## BEFORE YOU BEGIN

Read these instructions completely and carefully.

### ⚠ WARNING/AVERTISSEMENT

#### RISK OF ELECTRIC SHOCK

- Turn power off before inspection, installation or removal.
- Properly ground electrical enclosure.

#### RISK OF FIRE

- Follow all NEC and local codes.
- Use only UL or IEC approved wire for input/output connections. Minimum size 18 AWG (0.75mm<sup>2</sup>).

#### RISQUES DE DÉCHARGES ÉLECTRIQUES

- Coupez l'alimentation avant d'inspecter, installer ou déplacer le luminaire.
- Assurez-vous de correctement mettre à la terre le boîtier d'alimentation électrique.

#### RISQUES D'INCENDIE

- Respectez tous les codes NEC et codes locaux.
- N'utilisez que des fils approuvés par UL ou IEC pour les entrées/sorties de connexion. Taille minimum 18 AWG (0.75mm<sup>2</sup>).

## Prepare Electrical Wiring

Refer to **PL Series LED Panel Specification** for more lamp electrical data info.



### Electrical Requirements

- The LED luminaire must be connected to the mains supply according to its ratings on the product label.



### Grounding Instructions

- The grounding and bonding of the overall system shall be done in accordance to local electric code of the country where the luminaire is installed.

## Save These Instructions

Use only in the manner intended by the manufacturer. If you have any questions, contact the manufacturer.




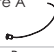

### ⚠ CAUTION

Do not perforate the integrity of the luminaire. Only screw into the threaded mounting bracket holes located at the four corners of the fixture.

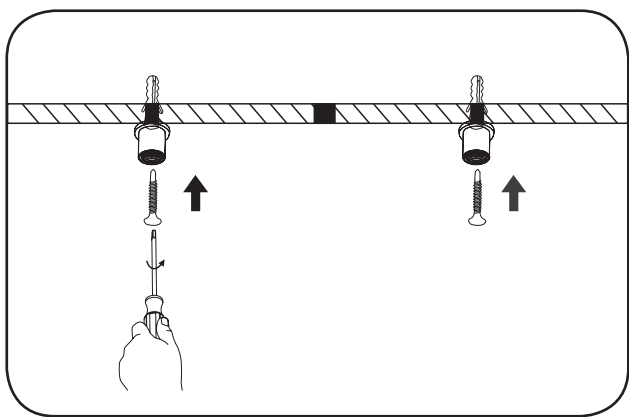
### ⚠ WARNING/AVERTISSEMENT

**Risk of Fire.** Do not install insulation within 3 inches (76 mm) of luminaire top.  
**Risques d'incendie.** Ne pas installer d'isolation à moins de 76 mm (3 pouces) au-dessus du luminaire.

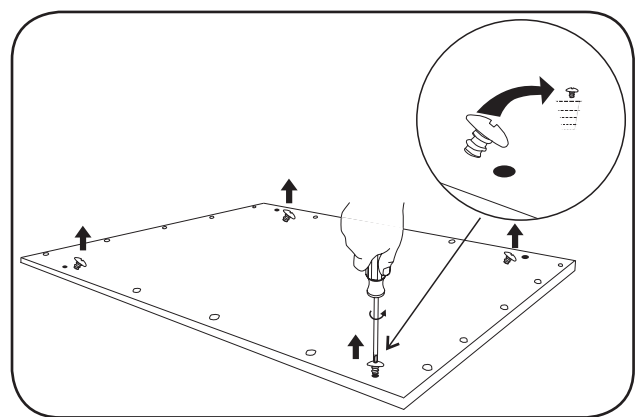
## RECESSED IN A CUT-OUT HOLE EXTRA KITS

Accessories	3030	3060	6060	6262	30120	60120
		X 2			X 3	
		X 2			X 3	
		X 4			X 6	
wire A 		X 2			X 3	
wire B 		X 2			X 3	

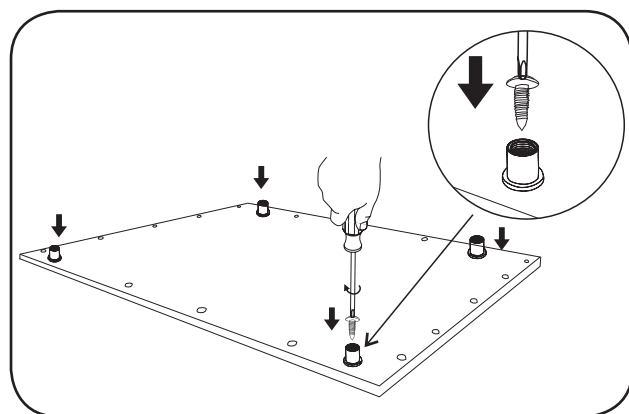
## RECESSED IN A CUT-OUT HOLE INSTALLATION STEPS



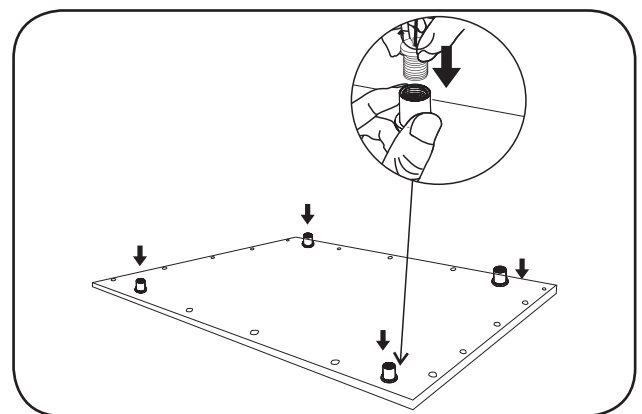
- 1 Insert the wall plugs into the ceiling and secure the suspension surface fixing to the ceiling.



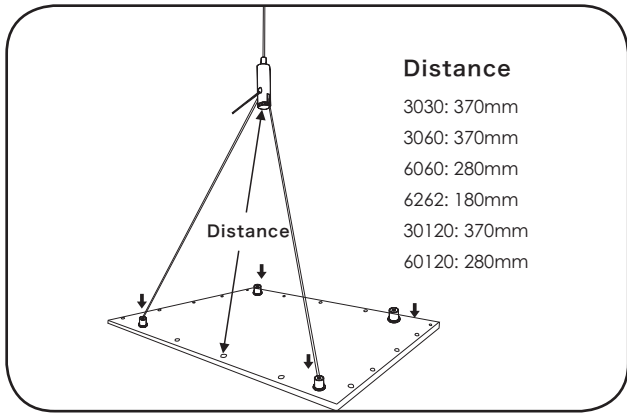
- 2 Unscrew the highlighted screws from the four corners of the Panel.



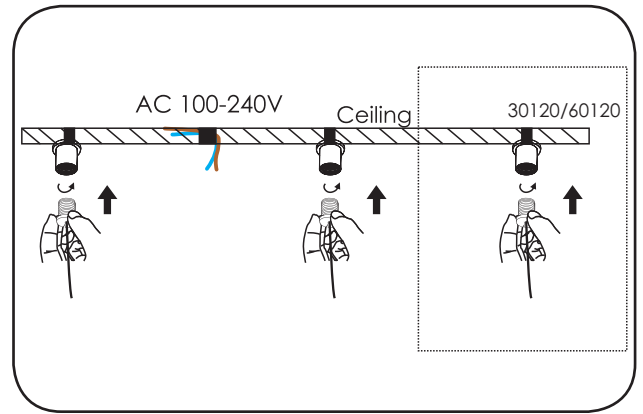
- 3 Screw the suspension panel fixing to the LED Panel.



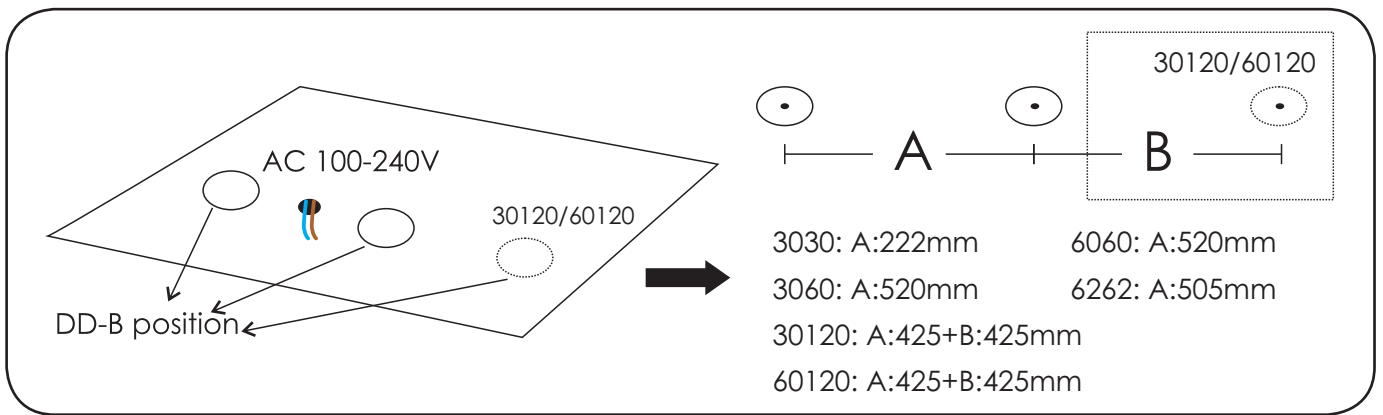
- 4 Screw the suspension cable to the LED Panel.



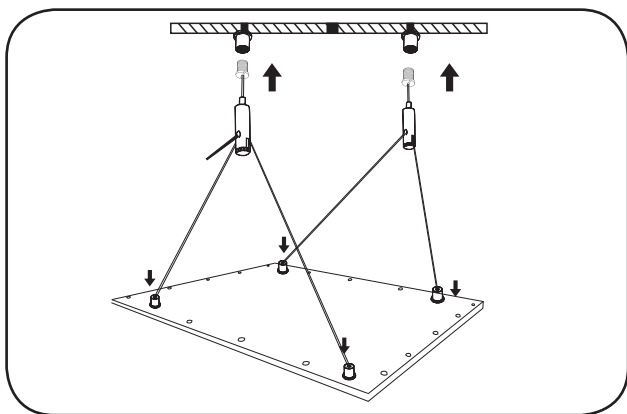
5 Adjust the length of the suspension cable to the desired length.



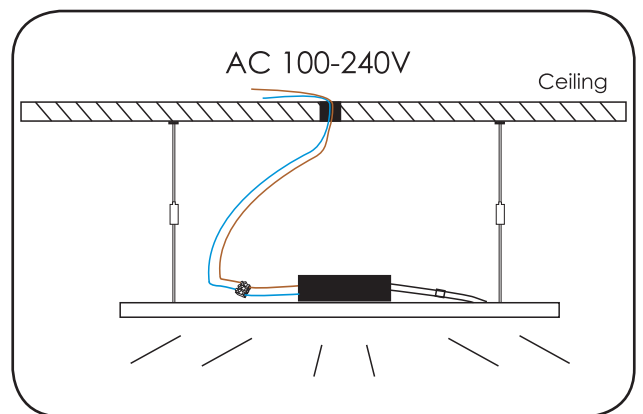
6 Screw the suspension cable to the ceiling fixing.



7 Please note the recommended distances for the ceiling fixings.



8 Fix the Panel to the ceiling and make final adjustments for desired height and angle.



9 Connect the LED Driver to AC mains power.