

sunlite®

INSTALLATION INSTRUCTIONS

85261-SU | LFX/VTS/8'/3MW/3SCT | 8' VAPORPROOF FIXTURE



DIMMABLE

Compatible with most wall based 0-10V dimming controllers

COLOR TUNABLE SWITCH



POWER TUNABLE SWITCH



Please read and understand this entire manual before attempting to assemble, operate or install the product.

WARNINGS & CAUTIONS: Risk of fire or electric shock, avoid fire or electric shock. Turn off the power at fuse or circuit breaker box before installation and maintenance to avoid electric shock. Before installation thoroughly review enclosed installation manual. This fixture is suitable for 120-277 Volts fused circuits. This product must be installed in accordance with the applicable installation code by a person familiar with the construction and operation of the product and the hazards involved. If you do not have sufficient electrical wiring experience, please consult a qualified electrician. Consult a qualified electrician to ensure correct branch circuit conductor. Do not make or alter any open holes in an enclosure of wiring or electrical components during installation. If the product is damaged, do not attempt installation and do not use. Not for emergency lighting. Suitable for operation in ambient not exceeding 40°C. Operating temperature -20°C - 40°C (-4°F - 104°F). Suitable for wet locations.



AVERTISSEMENT – Risque d'incendie ou de choc électrique. Ce produit doit être installé selon le code d'installation pertinent, par une personne qui connaît bien le produit et son fonctionnement ainsi que les risques inhérents. Consulter un électricien qualifié pour vous assurer que les conducteurs de la dérivation sont adéquats. Convient aux emplacements humides. Peut être utilisé à une température ambiante n'excédant pas 40°C. Cet appareil n'est pas destiné à être utilisé dans les issues de secours.

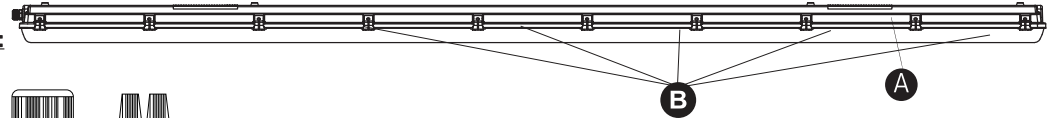
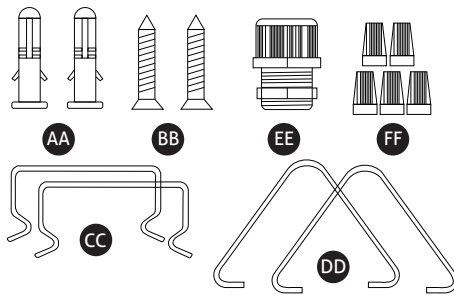
Retain these instructions for future reference.

V2022-A

TOOLS REQUIRED:

- Wire Cutters
- Electrical Tape
- Wire Strippers
- Phillips Screwdriver

HARDWARE INCLUDED:



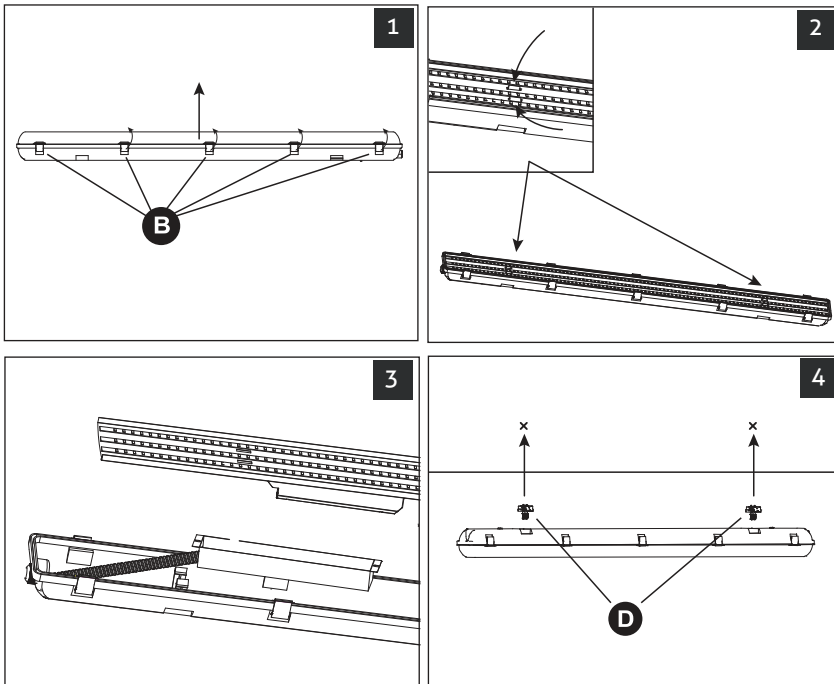
Part	Description	Quantity	Part	Description	Quantity
AA	Anchor	4	EE	PG Gland	1
BB	Self-tapping Screw	4	FF	P3 Wire Nut	5
CC	U-Clip	2	A	Cover	1
DD	V-Hook	2	B	Fixture Body	1

Installation

WARNING:

Be sure the electricity to the wires you are working on is shut off. Either remove the fuse or turn the circuit off.

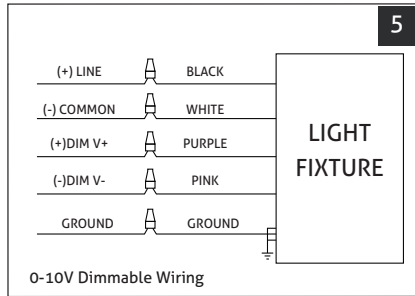
CEILING MOUNTING



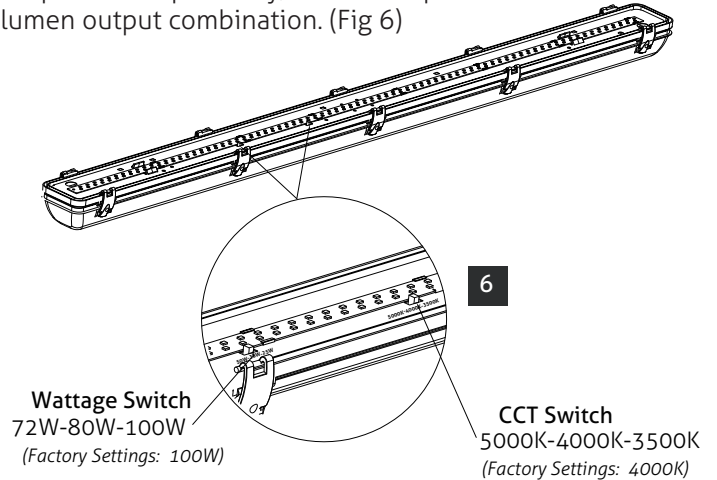
1. Open each of the lens release latch (B) and remove the lens. (Fig 1)
2. Press the two LED panel retaining clips together while lifting up the LED panel to release the LED panel from the housing. (Fig 2)
3. Connect the supply cord by routing the cord or conduct through the adapter entrance into the driver compartment. Connect the Line(L), Neutral (N), and Ground (G) leads into the push-in slots as marked on the LED driver unit. (Fig 3).
4. Measure the distance between the mounting adapter clips (D) and mark desired location on mounting surface. Drill and secure both mounting adapter clips onto mounting surface and secure the fixture by snap fitting the fixture over the mounting adapter clips. (Fig 4)

Note: These instructions do not cover all details or variations in equipment nor do they provide for every possible situation during installation operation or maintenance.

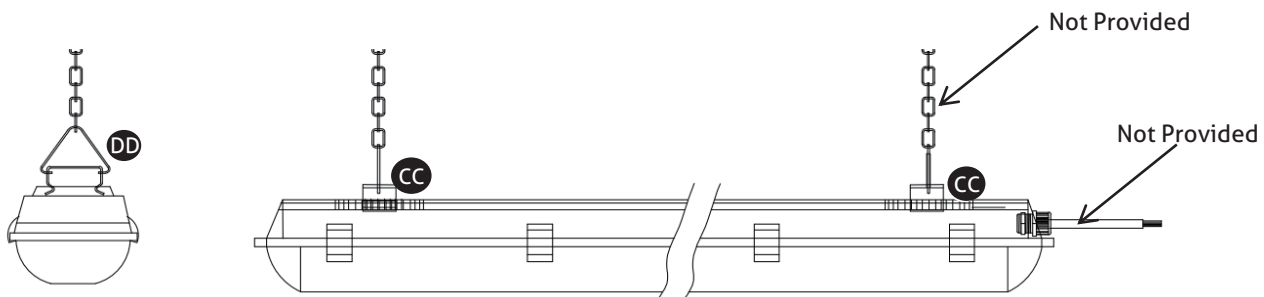
Installation *(continued)*



- For 0-10V dimming, follow the wiring directions as in (Fig 5).
- The end users may adjust the color temperature and lumen output respectively by the two DIP switch buttons integrated into the driver. Each DIP switch is accommodated with 3 option (left, middle and right) corresponding to 3 color temperatures and 3 powers respectively, which can perform the desired color temperature and lumen output combination. (Fig 6)



SUSPENDED MOUNTING WITH V-HOOK



- Clip the U-Clip (CC) to the slots of fixture,
- Attach V-Hooks (DD) to U-Clip.
- Attach customer supplied chain to the V-hooks and mounting surface.

MAINTENANCE AND REPAIR

Do only carry out maintenance and repair that is described in these instructions. In case of malfunctions and damage please contact an authorized electrician. Please turn off power supply before maintenance and let the product cool down.